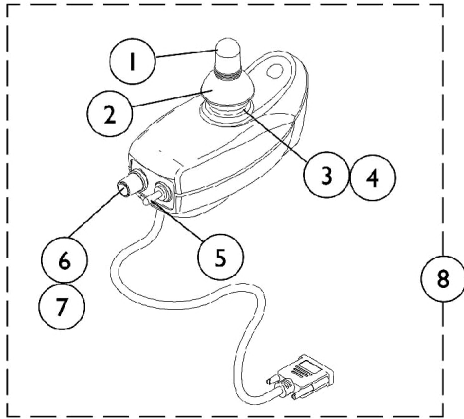
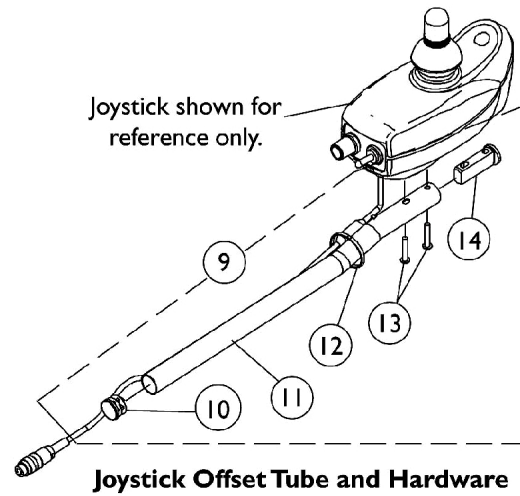


# MKIV RII Joystick and Mounting Hardware

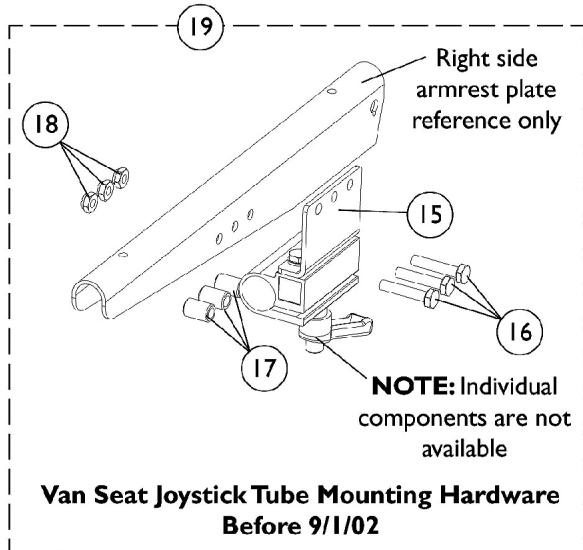
## Before 6/27/03



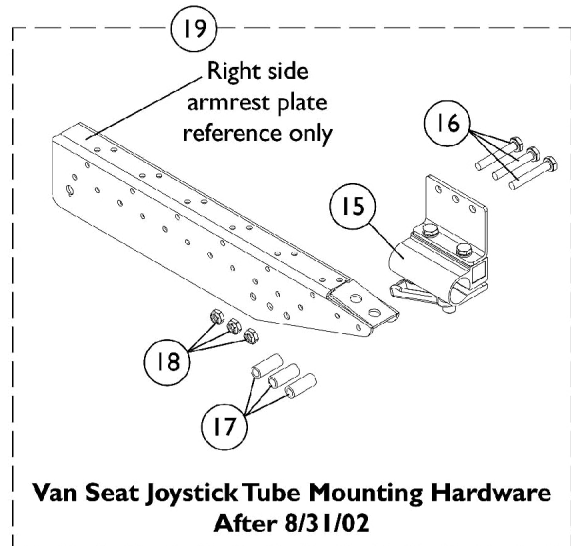
**1107267**  
**MKIV RII Joystick**



**Joystick Offset Tube and Hardware**



**Van Seat Joystick Tube Mounting Hardware**  
**Before 9/1/02**



**Van Seat Joystick Tube Mounting Hardware**  
**After 8/31/02**

# MKIV RII Joystick and Mounting Hardware

## Before 6/27/03

Item Number	Note	Part Number	Description	Quantity Per	
				Package	Assembly
1		1040217	Knob, Joystick Rubber, Black	1	1
2		1040218	Skirt, Joystick Rubber, Black	1	1
3		1036764-NLA	NLA - Inductive, Joystick	1	1
4		50000X364-NLA	NLA - Boot, Joystick	1	1
5		1010042-NLA	NLA - Switch, Toggle SPDT	1	1
6		1040225-NLA	NLA - Potentiometer, Speed	1	1
7		1025516-NLA	NLA - Knob, Speed Control	1	1
8		1107267-NLA	NLA - Joystick, MKIV RII	1	1
9	B	1161733	Kit, 2" Offset Joystick Tube w/ Hardware	1	1
10			Plug Button, Black (7/8")	1	1
11			Tube, Joystick Offset (2")	1	1
12			Tie Wrap (11-1/2" L)	1	2
13			Screw, Phillips Pan Head (#10-32 x 1-1/8")	1	2
13			Screw, Phillips Pan Head (M5 x .8 x 30mm)	1	2
14			Spacer, Joystick Tube, Black	1	1
10		1027095	Plug Button, Black (7/8")	1	1
12		1095502-NLA	NLA - Package, Tie Wrap (11-1/2" L)	10	1
15	F	1105049	Clamp Assembly, Fixed Height, Captain/ Van Seat	1	1
16	D	1057955	Screw, Hex Head (1/4-20 x 1-1/4")	1	3
16	E	1037610	Screw, Hex Head (1/4-20 x 1-5/8")	1	3
17	D	1101524-NLA	NLA - Spacer (1/4 x 7/16 x 5/8")	1	3
17	E	1087219	Spacer (1/4 x 3/8 x 1")	1	3
18		1025195	NLA - Locknut (1/4-20)	1	3
19	C,D,F	1105050-NLA	NLA - Kit, Joystick Tube Mounting Hardware - Captain/ Van Seat	1	1
19	C,E,F	1115000	Kit, Joystick Tube Mounting Hardware - Captain Seat	1	1
	A	1006271	Extension, Joystick, Straight Style (1561) (1/2" W x 5" L)	1	1
	A	1006270	Extension, Joystick, "T" Style (1560) (4" W x 5-1/2" L)	1	1

NOTE: A - Not Shown  
 B - Includes items 10 thru 14. Kit contains Standard (#10-32) and Metric (M5) screws. Customer selects the screws that applies to their application.  
 C - Includes items 15 thru 18.  
 D - Before 9/1/02  
 E - After 8/31/02  
 F - Due to product improvement, the joystick mounting bracket with a separate adjustment lock were replaced with the clamp assembly shown as of 2/20/03 and is backward compatible.