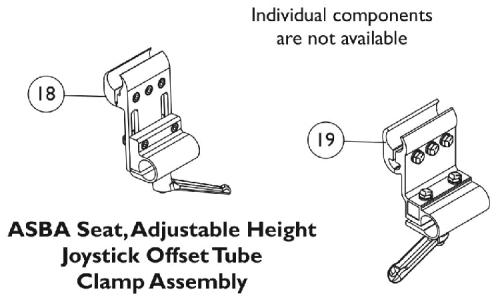
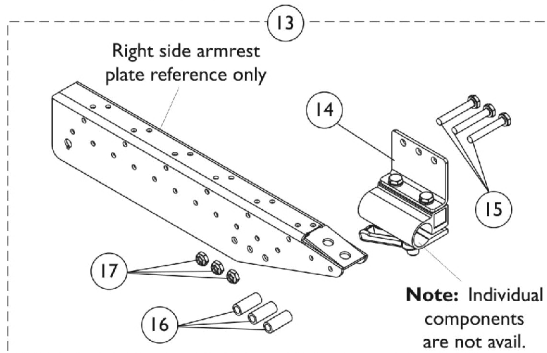
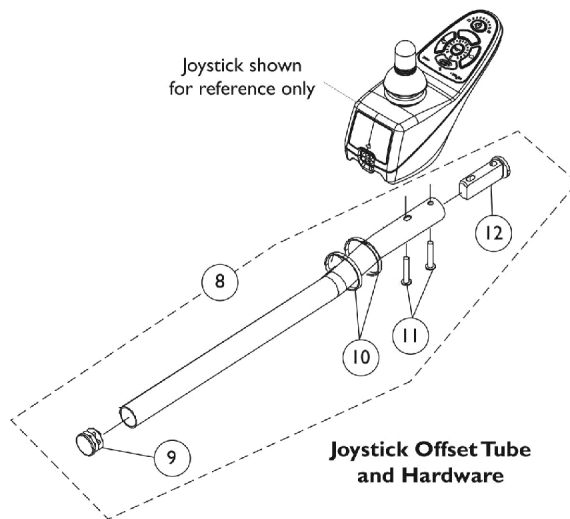
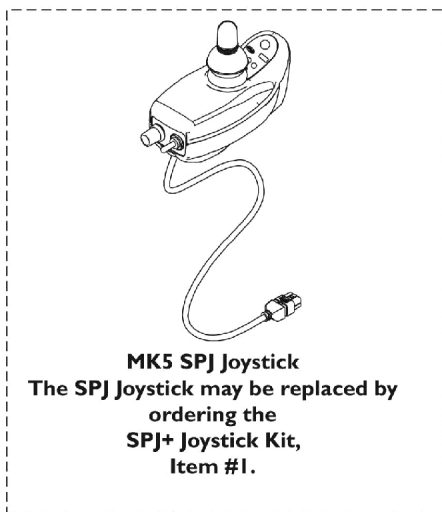
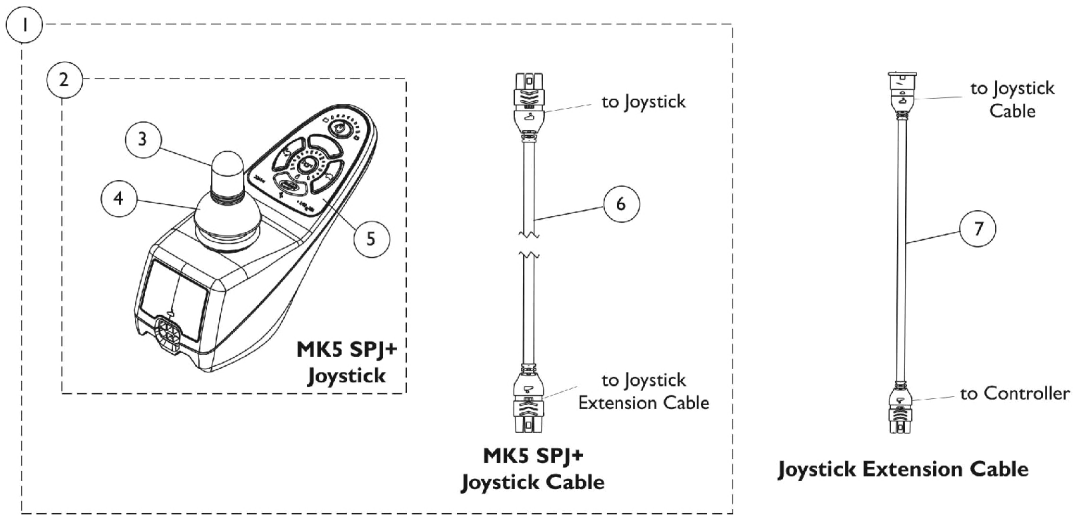


MK5 SPJ (After 6/26/03) & SPJ+ (Introduced 8/16/05) Joystick and Mounting Hardware

The SPJ+ Joystick plus Cable Kit replaces the SPJ Joystick after 10/31/07.



MK5 SPJ (After 6/26/03) & SPJ+ (Introduced 8/16/05) Joystick and Mounting Hardware

The SPJ+ Joystick plus Cable Kit replaces the SPJ Joystick after 10/31/07.

| Item Number | Note | Part Number | Description | Quantity Per | |
|-------------|------|--------------|---|--------------|----------|
| | | | | Package | Assembly |
| 1 | A,G | 1153650 | Kit, SPJ+ Joystick w/ Cable | 1 | 1 |
| 2 | | | Joystick, SPJ+ | 1 | 1 |
| 3 | | | Knob, Joystick Rubber, Black | 1 | 1 |
| 4 | | | Skirt, Joystick Rubber, Black | 1 | 1 |
| 5 | | | NLA - Overlay, SPJ+ Joystick | 1 | 1 |
| 6 | | | Cable, Joystick SPJ+ | 1 | 1 |
| 2 | | 1127291 | Joystick, SPJ+ | 1 | 1 |
| 2 | H | See Note-NLA | See Footnote | 1 | 1 |
| 3 | | 1040217 | Knob, Joystick Rubber, Black | 1 | 1 |
| 4 | | 1040218 | Skirt, Joystick Rubber, Black | 1 | 1 |
| 5 | | 1165094 | Kit, Overlay, SPJ+ Joystick (MK5/MK6) | 1 | 1 |
| | | | NLA - Overlay, SPJ+ Joystick | 1 | 1 |
| | | | Instruction Sheet, MK5/MK6 Overlay | 1 | 1 |
| 6 | | 1127293 | Cable, Joystick SPJ+ | 1 | 1 |
| 7 | | 1116404 | Cable, Joystick Extension | 1 | 1 |
| 8 | E | 1161733 | Kit, 2" Offset Joystick Tube w/ Hardware | 1 | 1 |
| 9 | | | Plug Button, Black (7/8") | 1 | 1 |
| | | | Tube, Joystick Offset (2") | 1 | 1 |
| 10 | | | Tie Wrap (11-1/2" L) | 1 | 2 |
| 11 | | | Screw, Phillips Pan Head (#10-32 x 1-1/8") | 1 | 2 |
| 11 | | | Screw, Phillips Pan Head (M5 x .8 x 30mm) | 1 | 2 |
| 12 | | | Spacer, Joystick Tube, Black | 1 | 1 |
| 8 | B | 1093069 | Kit, 1/2" Offset Joystick Tube with Hardware | 1 | 1 |
| 9 | | 1027095 | Plug Button, Black (7/8") | 1 | 1 |
| 10 | | 1095502-NLA | NLA - Package, Tie Wrap (11-1/2" L) | 10 | 1 |
| 11 | | 1025714 | Screw, Phillips Pan Head (#10-32 x 1-1/8") | 1 | 2 |
| 12 | | 1093063 | Spacer, Joystick Tube, Black | 1 | 1 |
| 13 | C | 1115000 | Kit, Joystick Tube Mounting Hardware - Captain Seat | 1 | 1 |
| 14 | | 1105049 | Clamp Assembly, Fixed Height, Captain/ Van Seat | 1 | 1 |
| 15 | | 1037610 | Screw, Hex Head (1/4-20 x 1-5/8") | 1 | 3 |
| 16 | | 1087219 | Spacer (1/4 x 3/8 x 1") | 1 | 3 |
| 17 | | 1025195 | Locknut (1/4-20) | 1 | 3 |
| 18 | | 1139422 | Clamp, Height Adjustable Joystick Tube (ARM250) | 1 | 1 |
| 19 | | 1093071 | Clamp, Fixed Height Joystick Tube | 1 | 1 |
| | D | 1006270 | Extension, Joystick, "T" Style (1560) (4" W x 5-1/2" L) | 1 | 1 |
| | D | 1006271 | Extension, Joystick, Straight Style (1561) (1/2" W x 5" L) | 1 | 1 |

MK5 SPJ (After 6/26/03) & SPJ+ (Introduced 8/16/05) Joystick and Mounting Hardware

The SPJ+ Joystick plus Cable Kit replaces the SPJ Joystick after 10/31/07.

NOTE: A - Includes items 2 thru 6.
B - Used on A.S.B.A. seats. Includes Joystick Tube plus items 9 thru 12.
C - Includes items 14 thru 17.
D - Not Shown.
E - Used on Van Seats. Includes Joystick Tube and items 9 thru 12. Kit contains Standard (#10-32) and Metric (M5) screws. Customer selects the screw that applies to their application.
G - Before replacing your joystick, verify with Invacare Technical Service Phone Support first to see if only a Joystick Overlay Kit is needed
H - MK5 SPJ Joystick part number is no longer available as a service part. Use item #1 1153650 as the replacement.