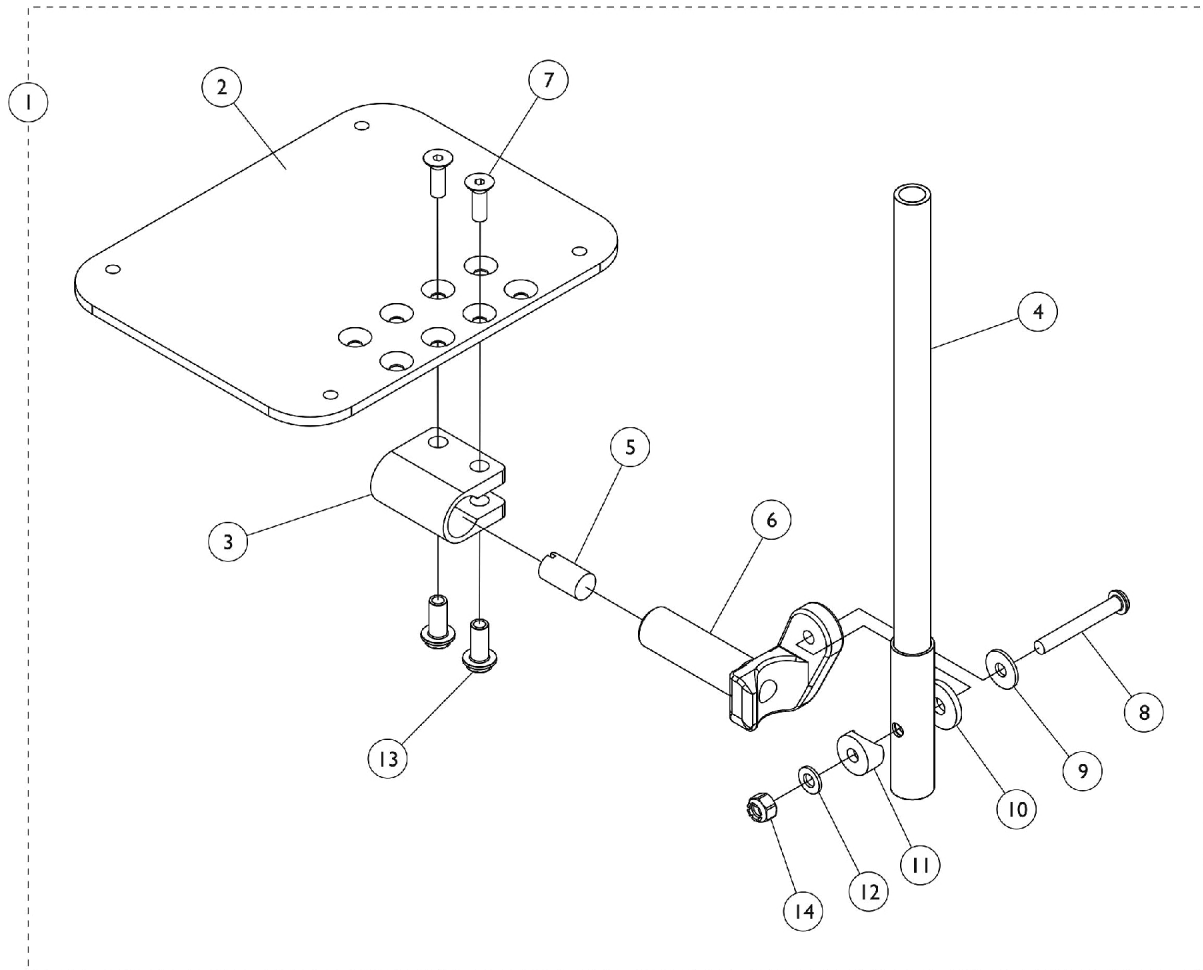


Front Riggings - Adjustable Angle Footplate

Footrest - T93H Series
Legrests - T94H Series



Front Riggings - Adjustable Angle Footplate

Footrest - T93H Series Legrests - T94H Series

Item Number	Note	Part Number	Description	Quantity Per	
				Package	Assembly
1	A	1110355	Footplate Assembly, Adjustable Angle, Black - Right (5-1/4" W)	1	1
1	A	1110356	Footplate Assembly, Adjustable Angle, Black - Left (5-1/4" W)	1	1
1	A	1110357	Footplate Assembly, Adjustable Angle, Black - Right (6-1/4" W)	1	1
1	A	1110358	Footplate Assembly, Adjustable Angle, Black - Left (6-1/4" W)	1	1
1	A	1110359	Footplate Assembly, Adjustable Angle, Black - Right (7-1/4" W)	1	1
1	A	1110360	Footplate Assembly, Adjustable Angle, Black - Left (7-1/4" W)	1	1
2	C	1113572	Footplate, Adjustable Angle, Medium, Black (4-1/4" W x 8" L)	1	1
2	C	1113573	Footplate, Adjustable Angle, Large, Black (5-1/4" W x 8" L)	1	1
2	C	1113574	Footplate, Adjustable Angle, Extra Large, Black (6-1/4" W x 8" L)	1	1
2	C	1113575	Footplate, Adjustable Angle, XX- Large, Black (7-1/4" W x 8" L)	1	1
3		1058517	Clamp, Footplate	1	1
4	D	1110352-NLA	NLA - Pivot/Slide Tube, Straight, Black	1	1
5		1048816	Screw, Nylon Adjustment (1/2-13 x 7/8")	1	1
6		1052103	Hinge, Footplate - Left	1	1
6		1052102	Hinge, Footplate - Right	1	1
7		1029545	Screw, Socket Flat Head (1/4-20 x 3/4")	1	2
8		1022831	Screw, Socket Button Head (1/4-20 x 1-7/8")	1	1
9		1026900	Washer (1/4 x 23/32 x 1/16")	1	1
10		1016301	Washer, Nylon (5/16 x 7/8 x 1/8")	1	1
11		1025457	Spacer, Coved (1/4 x 3/4 x 11/32")	1	1
12		1026907	Washer (1/4 x 1/2 x 1/16")	1	1
13		1082686	Nut, Barrel, Hex Head (1/4-20 x 11/16")	1	2
14		1025736	Locknut (1/4-20)	1	1
	B	See Chart	Adjustable Angle Footplate Attaching Hardware	1	1

NOTE: A - Includes items 2 thru 14.
 B - Not Shown.
 C - This footplate was revised 9/2/2008 with rounder corners and accessory holes changed from 8 to 4. Recommended to replace footplate in pairs to match sides.
 D - No longer available as a service part individually. Order #1 as a replacement.

Adjustable Angle Footplate Attaching Hardware

Model	Style	Part Number	Quantity Per Package	Quantity Per Footrest	Quantity Per Legrest
-------	-------	-------------	----------------------	-----------------------	----------------------

Front Riggings - Adjustable Angle Footplate

Footrest - T93H Series Legrests - T94H Series

Adjustable Angle Footplate Attaching Hardware

Model	Style	Part Number	Quantity Per Package	Quantity Per Footrest	Quantity Per Legrest
T93HA, T93HC T94HA, T94HC T94HCB, T93HCB T93AB/AT5543 T93HCB/AT5543 T94AB/AT5543 T94HCB/AT5543	Spring Button Hardware Kit	1188335 See Note(s) A	2	2	4
T93HAB, T93HSB, T94HAB, T94HSB	Bolt Through Hardware Kit	1101776 See Note(s) B	2	2	2
	Tool Kit	1058407 See Note(s) C	1 set	N/A	N/A
NOTE: A - Kit includes 2 ea. Double Spring Buttons. B - Kit includes rivnuts, screws, allen wrench and an instruction sheet. C - Kit includes allen wrench, open end wrench and a hex key.					