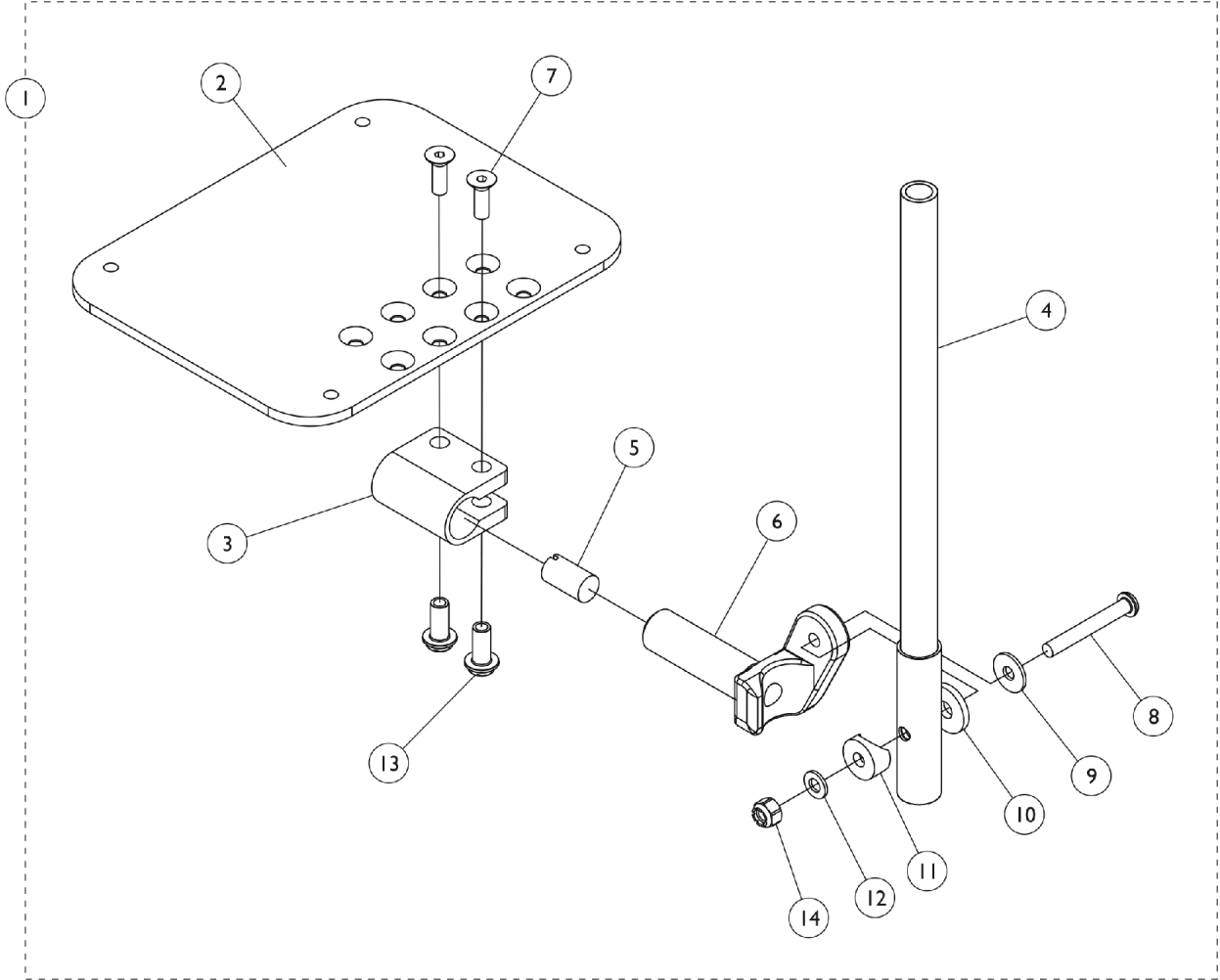


AT5543 Adjustable Angle Footplates



AT5543 Adjustable Angle Footplates

Item Number	Note	Part Number	Description	Quantity Per	
				Package	Assembly
1	A	See Chart	Pivot Slide Tube - "T" Series	1	1
2	C	1113573	Footplate, Adjustable Angle, Large, Black (5-1/4" W x 8" L)	1	1
2	C	1113574	Footplate, Adjustable Angle, Extra Large, Black (6-1/4" W x 8" L)	1	1
2	C	1113575	Footplate, Adjustable Angle, XX- Large, Black (7-1/4" W x 8" L)	1	1
3		1058517	Clamp, Footplate	1	1
4		1057855	Tube, Pivot and Slide, Straight, Steel, Black (9-7/8" L)	1	1
4		1091745-NLA	NLA - Tube, Pivot/Slide, Straight, Steel, Chrome (13-7/8" L)	1	1
5		1048816	Screw, Nylon Adjustment (1/2-13 x 7/8")	1	1
6		1052103	Hinge, Footplate - Left	1	1
6		1052102	Hinge, Footplate - Right	1	1
7		1029545	Screw, Socket Flat Head (1/4-20 x 3/4")	1	2
8		1022831	Screw, Socket Button Head (1/4-20 x 1-7/8")	1	1
9		1026900	Washer (1/4 x 23/32 x 1/16")	1	1
10		1016301	Washer, Nylon (5/16 x 7/8 x 1/8")	1	1
11		1025457	Spacer, Coved (1/4 x 3/4 x 11/32")	1	1
12		1026907	Washer (1/4 x 1/2 x 1/16")	1	1
13		1082686	Nut, Barrel, Hex Head (1/4-20 x 11/16")	1	2
14		1025736	Locknut (1/4-20)	1	1
		See Chart	Hardware - Pivot Slide Tube	1	1

NOTE: A - Includes items 2 thru 14.
 C - This footplate was revised 9/2/2008 with rounder corners and accessory holes changed from 8 to 4. Recommended to replace footplates in pairs to match sides.

#1 Pivot Slide Tube - "T" Series

Footplate Type	TR14 14"	TR14 16-20"	TRH14 16-18" TRP14, T934C 16-20"	T934A, T934C, TLX4A, TLX4C, T944A, T944C, TLXH4A, TLXH4C 16-18"	T934A, T934C, TLX4A, TLX4C, T944A, T944C, TLXH4A, TLXH4C 20-22"	T944C, TRPH14 16-18"	T944S, TLXH4S 14"
Adjustable Angle - Right	N/A	N/A	N/A	1062756	1091789-NLA	N/A	1060444
Adjustable Angle - Left	N/A	N/A	N/A	1062757	1091790-NLA	N/A	1060445

Attaching Hardware

AT5543 Adjustable Angle Footplates

Attaching Hardware

Style	Part Number	Quantity per Package	Quantity Per Footrest (pr)	Quantity Per Legrest (pr)
Spring Button Hardware Kit	1121272 See Note(s) A	2	2	4
Bolt Through Hardware Kit	1101776 See Note(s) A	2	2	2
Tool Kit	1058407 See Note(s) B	1	N/A	N/A

NOTE: A - Kit includes hardware and instruction sheet.
B - Kit includes allen wrench, key, and open end wrench.