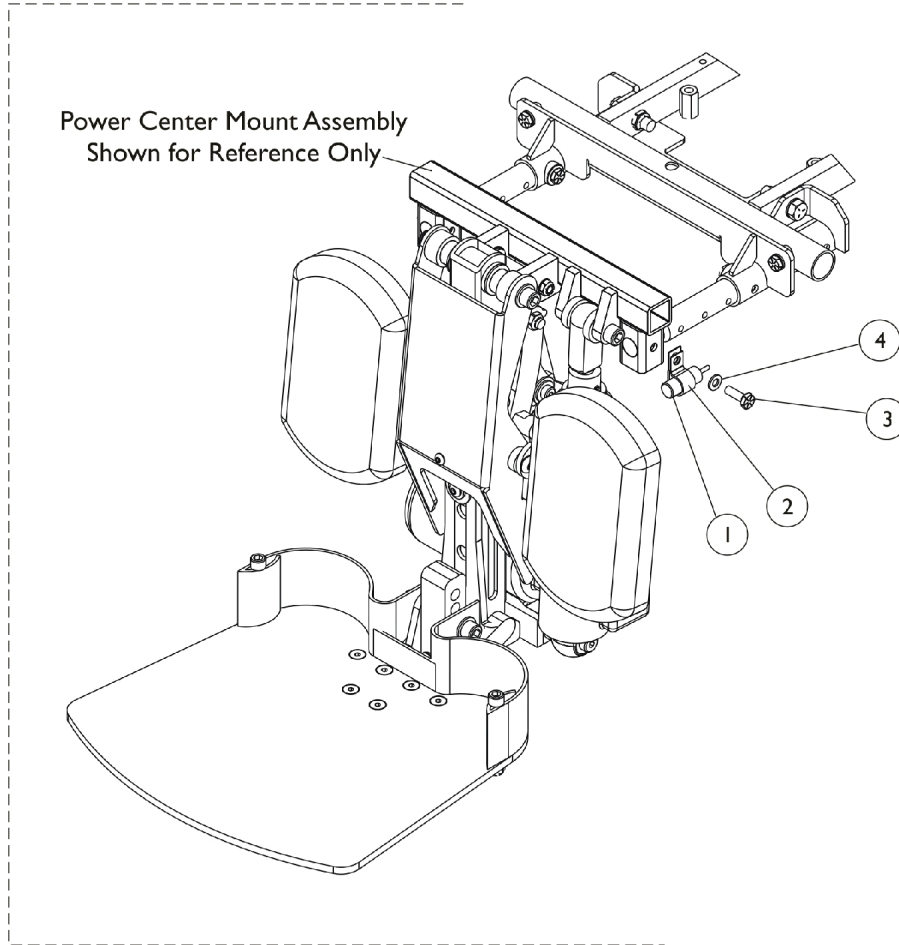


Mounting Limit Tilt Switch w/ Power Center Mount - TDX SP/SP-GT/SR

As of 7/1/2009, switches are mercury free.



Item Number	Note	Part Number	Description	Quantity Per	
				Package	Assembly
1		1140099	Switch, Drive Lockout Mercury Free Ball (MK6i) (50" L)	1	1
2		1160787	NLA - Kit, Mounting Switch Limit Tilt w/ MPCTMT NLA - Bracket, Cable/Wire Mounting, Black	1	1
3		1045267	Screw, Hex Head w/ Patch (1/4-20 x 3/4")	1	1
4		1026907	Washer (1/4 x 1/2 x 1/16")	1	1