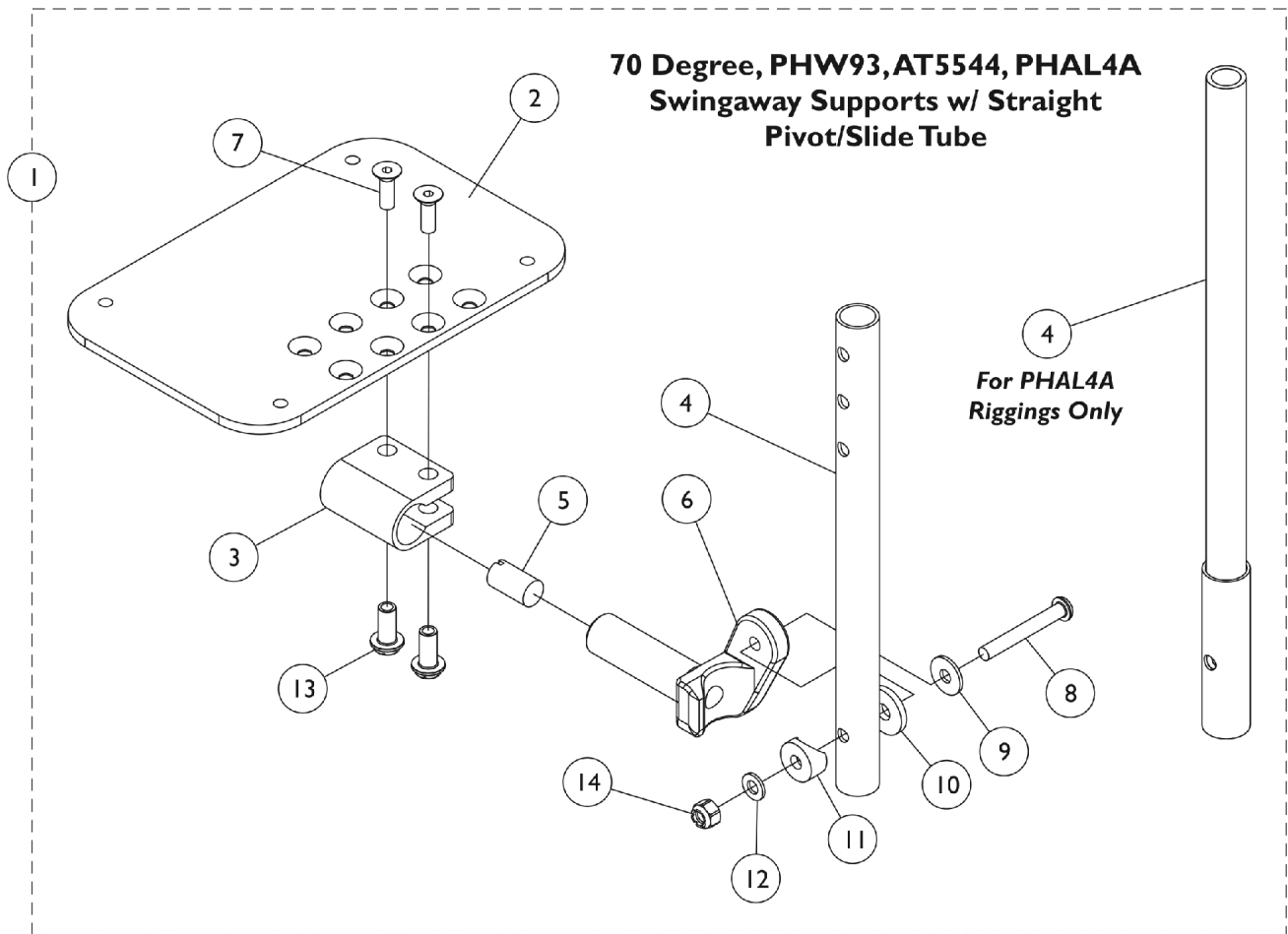


Adjustable Angle Footplate Assemblies - AT5543

70 Deg., 70 Deg. MFX, PHW93,
90 Deg., AT5544, PHAL4A
Swingaway Supports

NOTE: Heel loops are not included. See Footrest and Legrest Accessories.



Adjustable Angle Footplate Assemblies - AT5543

70 Deg., 70 Deg. MFX, PHW93, 90 Deg., AT5544, PHAL4A Swingaway Supports

NOTE: Heel loops are not included. See Footrest and Legrest Accessories.

Item Number	Note	Part Number	Description	Quantity Per	
				Package	Assembly
1	B	See Chart	Pivot/Slide Tube w/ Footplate Assemblies	1	1
2	C	1113574	Footplate, Adjustable Angle, Extra Large, Black (6-1/4" W x 8" L)	1	1
3		1058517	Clamp, Footplate	1	1
4		1057855	Tube, Pivot and Slide, Straight, Steel, Black (9-7/8" L)	1	1
4		1057856	Tube, Pivot/Slide, Straight, Steel, Black (11-7/8" L)	1	1
4		1121135	Tube, Pivot/Slide, Straight, Steel, Black (13-7/8" L)	1	1
4	A	1091745-NLA	NLA - Tube, Pivot/Slide, Straight, Steel, Chrome (13-7/8" L)	1	1
5		1048816	Screw, Nylon Adjustment (1/2-13 x 7/8")	1	1
6		1052102	Hinge, Footplate - Right	1	1
6		1052103	Hinge, Footplate - Left	1	1
7		1029545	Screw, Socket Flat Head (1/4-20 x 3/4")	1	2
8		7930321-NLA	NLA Package, Screw, Socket Button Head (1/4-20 x 1-7/8")	25	1
9		1026900	Washer (1/4 x 23/32 x 1/16")	1	1
10		7930313	Package, Washer, Nylon (5/16 x 7/8 x 1/8")	25	1
11		1025457	Spacer, Coved (1/4 x 3/4 x 11/32")	1	1
12		1026907	Washer (1/4 x 1/2 x 1/16")	1	1
13		1082686	Nut, Barrel, Hex Head (1/4-20 x 11/16")	1	2
14		7930333	Locknut (1/4-20)	25	1

NOTE: A - For PHAL4A only
 B - Includes Items 2 thru 14.
 C - This footplate was revised 9/2/2008 with rounder corners and accessory holes changed from 8 to 4. Recommended to replace footplate in pairs to match sides.

#1 Pivot/ Slide Tube w/ Footplate Assemblies

Rigging Type	70, PHW93, AT5544 (9-7/8" Tube)	70, PHW93, AT5544 (11-7/8" Tube)	70, PHW93, AT5544 (13-7/8" Tube)	PHAL4A (13-7/8" Tube)
16" and Wider - Right (6-1/4" Footplate)	1062756	1062760	1121140	1091777-NLA
16" and Wider - Left (6-1/4" Footplate)	1062757	1062761	1121141	1091778-NLA