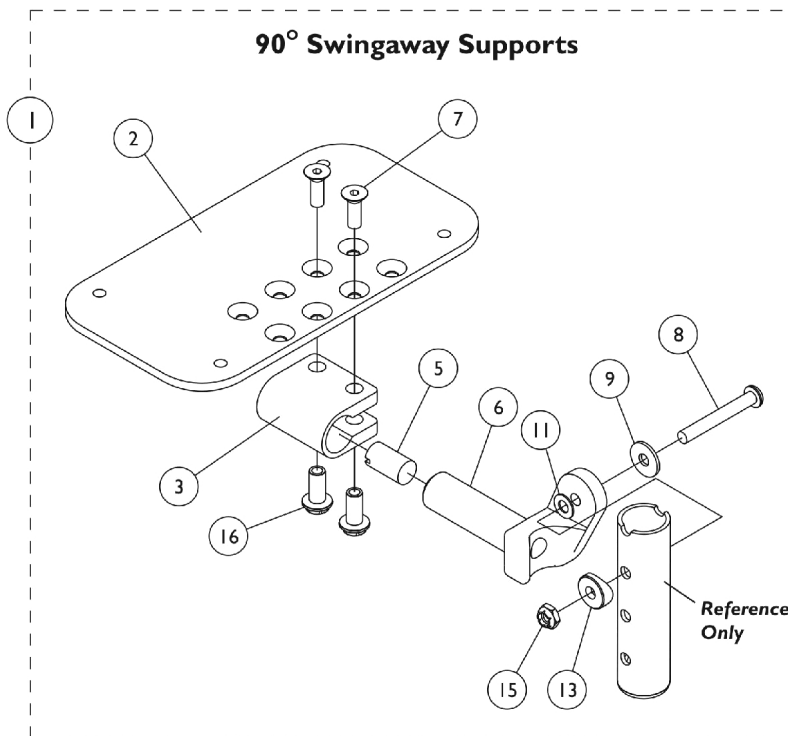
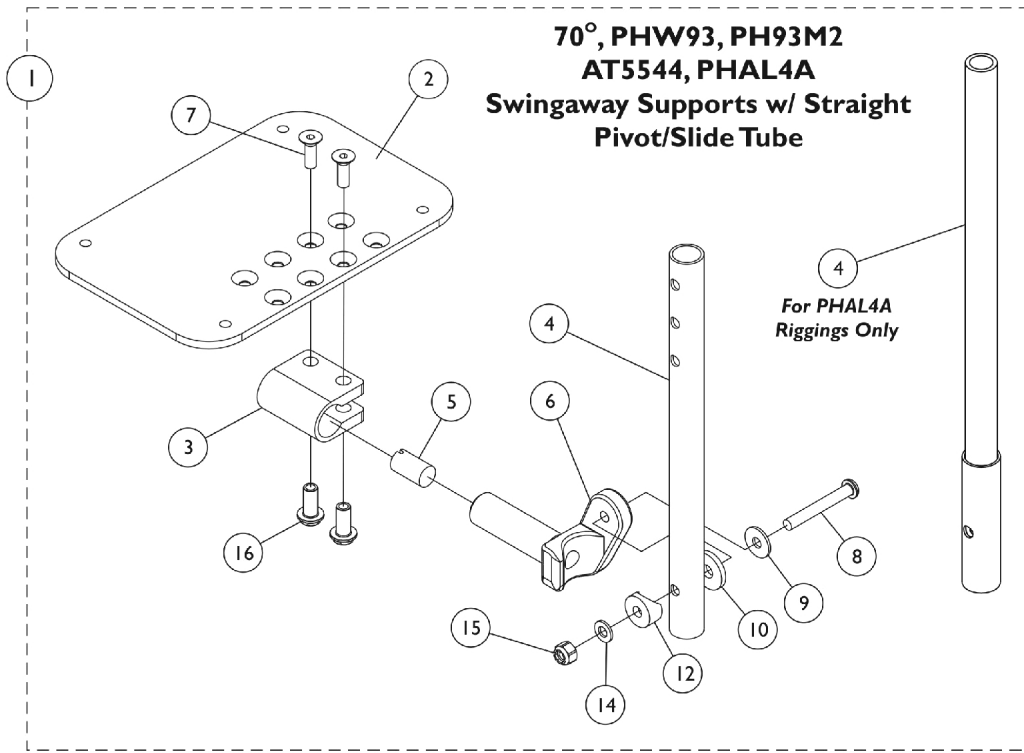


# AT5543 Adjustable Angle Footplates

## 90°, 70°, PHW93, AT5544, PH93M2, PHAL4A Swingaway Supports

NOTE: Heel loops are not included. See footrest and legrest accessories.



# AT5543 Adjustable Angle Footplates

## 90°, 70°, PHW93, AT5544, PH93M2, PHAL4A Swingaway Supports

**NOTE: Heel loops are not included. See footrest and legrest accessories.**

Item Number	Note	Part Number	Description	Quantity Per	
				Package	Assembly
1	A	See Chart	Pivot/ Slide Tube with Footplate Assemblies	1	1
2	B,G	1113572	Footplate, Adjustable Angle, Medium, Black (4-1/4" W x 8" L)	1	1
2	C,G	1113573	Footplate, Adjustable Angle, Large, Black (5-1/4" W x 8" L)	1	1
2	D,G	1113574	Footplate, Adjustable Angle, Extra Large, Black (6-1/4" W x 8" L)	1	1
3		1058517	Clamp, Footplate	1	1
4		1057855	Tube, Pivot and Slide, Straight, Steel, Black (9-7/8" L)	1	1
4	E	1120379	Tube, Pivot/Slide, Straight, Aluminium, Black (9-7/8" L)	1	1
4		1057856	Tube, Pivot/Slide, Straight, Steel, Black (11-7/8" L)	1	1
4	F	1091745-NLA	NLA - Tube, Pivot/Slide, Straight, Steel, Chrome (13-7/8" L)	1	1
5		1048816	Screw, Nylon Adjustment (1/2-13 x 7/8")	1	1
6		1052102	Hinge, Footplate - Right	1	1
6		1052103	Hinge, Footplate - Left	1	1
7		1029545	Screw, Socket Flat Head (1/4-20 x 3/4")	1	2
8		1022831	Screw, Socket Button Head (1/4-20 x 1-7/8")	1	1
9		1026900	Washer (1/4 x 23/32 x 1/16")	1	1
10		1016301	Washer, Nylon (5/16 x 7/8 x 1/8")	1	1
11		1036435	Washer, Nylon (1/4 x 7/8 x 1/32")	1	1
12		1025457	Spacer, Coved (1/4 x 3/4 x 11/32")	1	1
13		1026099	Spacer, Coved (1/4 x 11/16 x 1/2")	1	1
14		1026907	Washer (1/4 x 1/2 x 1/16")	1	1
15		1025736	Locknut (1/4-20)	1	1
16		1082686	Nut, Barrel, Hex Head (1/4-20 x 11/16")	1	2

NOTE: A - Includes Items 2 thru 14.  
 B - For 12-13" wide chairs  
 C - For 14-15" wide chairs  
 D - For 16" and wider chairs  
 E - For PH93M2 only.  
 F - For PHAL4A only.  
 G - This footplate was revised 9/2/2008 with rounder corners and accessory holes changed from 8 to 4. Recommended to replace the footplate in pairs to match sides.

### #1 Pivot/ Slide Tube with Footplate Assemblies

Rigging Type	90 Degree w/o Pivot/Slide Tube	70, PHW93 AT5544 (9-7/8" Tube)	70, PHW93 AT5544 (11-7/8" Tube)	PH93M2 (9-7/8" Tube)	PHAL4A (13-7/8" Tube)
12-13" W - Right (4-1/4" Footplate)	1060436-NLA	1060442	N/A	1060430	N/A
12-13" W - Left (4-1/4" Footplate)	1060437	1060443	N/A	1060431	N/A

# AT5543 Adjustable Angle Footplates

## 90°, 70°, PHW93, AT5544, PH93M2, PHAL4A Swingaway Supports

NOTE: Heel loops are not included. See footrest and legrest accessories.

### #1 Pivot/ Slide Tube with Footplate Assemblies

Rigging Type	90 Degree w/o Pivot/Slide Tube	70, PHW93 AT5544 (9-7/8" Tube)	70, PHW93 AT5544 (11-7/8" Tube)	PH93M2 (9-7/8" Tube)	PHAL4A (13-7/8" Tube)
14-15" W - Right (5-1/4" Footplate)	1060438	1060444	1062758	1060432	1091775-NLA
14-15" W - Left (5-1/4" Footplate)	1060439	1060445	1062759	1060433	1091776-NLA
16" and Wider - Right (6-1/4" Footplate)	1062570	1062756	1062760	1062572	1091777-NLA
16" and Wider - Left (6-1/4" Footplate)	1062571	1062757	1062761	1062573	1091778-NLA