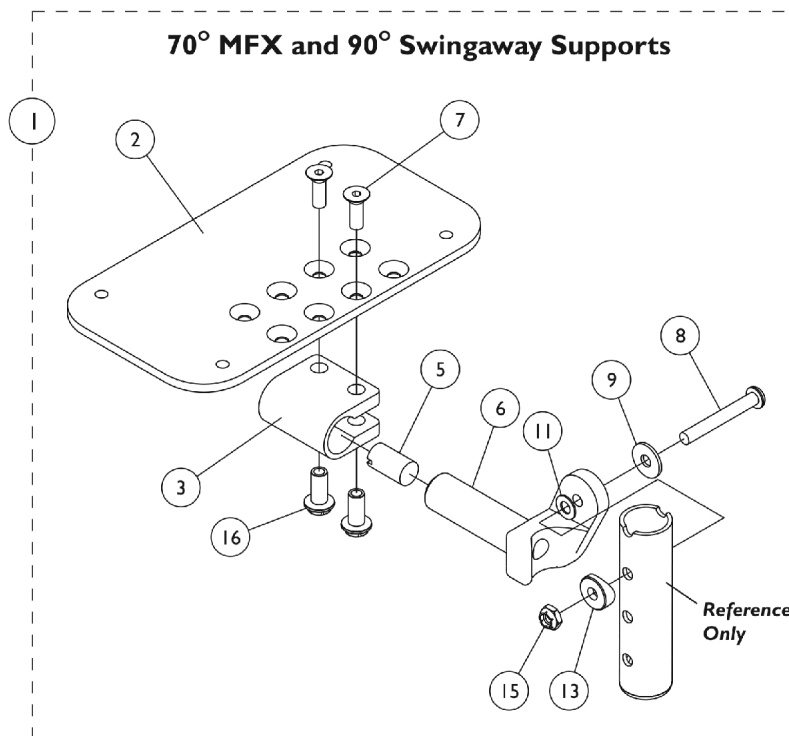
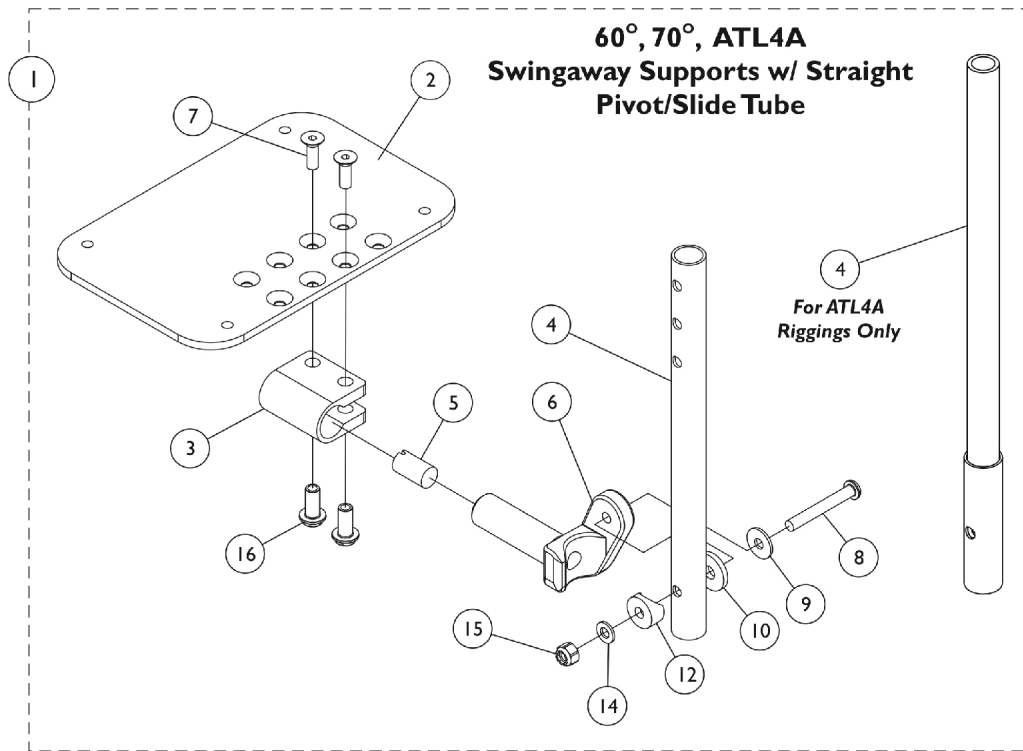


# AT5543 Adjustable Angle Footplates

## ATL4A, 60deg, 70deg, 70deg MFX & 90deg Swingaway Supports

After 2/28/95

NOTE: Heel loops are not included. See footrest and legrest accessories.



# AT5543 Adjustable Angle Footplates

## ATL4A, 60deg, 70deg, 70deg MFX & 90deg Swingaway Supports

### After 2/28/95

**NOTE: Heel loops are not included. See footrest and legrest accessories.**

Item Number	Note	Part Number	Description	Quantity Per	
				Package	Assembly
1	A	See Chart	Pivot Slide Tube w/ Footplate Assemblies	1	1
2	B,F	1113571	Footplate, Adjustable Angle, Small, Black (3-1/4" W x 8" L)	1	1
2	C,F	1113572	Footplate, Adjustable Angle, Medium, Black (4-1/4" W x 8" L)	1	1
2	D,F	1113573	Footplate, Adjustable Angle, Large, Black (5-1/4" W x 8" L)	1	1
3	E	1058517	Clamp, Footplate	1	1
4		1057855	Tube, Pivot and Slide, Straight, Steel, Black (9-7/8" L)	1	1
4		1057856	Tube, Pivot/Slide, Straight, Steel, Black (11-7/8" L)	1	1
4		1091745-NLA	NLA - Tube, Pivot/Slide, Straight, Steel, Chrome (13-7/8" L)	1	1
5		1048816	Screw, Nylon Adjustment (1/2-13 x 7/8")	1	1
6		1052102	Hinge, Footplate - Right	1	1
6		1052103	Hinge, Footplate - Left	1	1
7	E	1029545	Screw, Socket Flat Head (1/4-20 x 3/4")	1	2
8		7930321-NLA	NLA Package, Screw, Socket Button Head (1/4-20 x 1-7/8")	25	1
9		1026900	Washer (1/4 x 23/32 x 1/16")	1	1
10		7930313	Package, Washer, Nylon (5/16 x 7/8 x 1/8")	25	1
11		1036435	Washer, Nylon (1/4 x 7/8 x 1/32")	1	1
12		1025457	Spacer, Coved (1/4 x 3/4 x 11/32")	1	1
13		1026099	Spacer, Coved (1/4 x 11/16 x 1/2")	1	1
14		1026907	Washer (1/4 x 1/2 x 1/16")	1	1
15		7930333	Locknut (1/4-20)	25	1
16	E	1082686	Nut, Barrel, Hex Head (1/4-20 x 11/16")	1	2

NOTE: A - Includes Items 2 thru 16.  
 B - For 10-11" wide chairs  
 C - For 12-13" wide chairs  
 D - For 14-16" wide chairs  
 E - Items 3, 7 and 16 must be ordered together for chairs manufactured before 8/10/99 due to a hardware change.  
 F - This footplate was revised 9/2/2008 with rounder corners and accessory holes changed from 8 to 4. Recommended to replace the footplate in pairs to match sides.

### #1 Pivot Slide Tube w/ Footplate Assemblies

Rigging Type	90, 70MFX (9-7/8" Tube)	60, 70 Swingaway (9-7/8" Tube)	60, 70 Swingaway (11-7/8" Tube)	ATL4A Swingaway (13-7/8" Tube)
				See Note(s) A
10-11" W - Right (3-1/4" Footplate)	1060434-NLA	1060428-NLA	1060440-NLA	N/A

# AT5543 Adjustable Angle Footplates

## ATL4A, 60deg, 70deg, 70deg MFX & 90deg Swingaway Supports

### After 2/28/95

**NOTE: Heel loops are not included. See footrest and legrest accessories.**

#### #1 Pivot Slide Tube w/ Footplate Assemblies

Rigging Type	90, 70MFX (9-7/8" Tube)	60, 70 Swingaway (9-7/8" Tube)	60, 70 Swingaway (11-7/8" Tube)	ATL4A Swingaway (13-7/8" Tube)  See Note(s) A
10-11" W - Left (3-1/4" Footplate)	1060435-NLA	1060429-NLA	1060441	N/A
12-13" W - Right (4-1/4" Footplate)	1060436-NLA	1060430	1060442	N/A
12-13" W - Left (4-1/4" Footplate)	1060437	1060431	1060443	N/A
14-16" W - Right (5-1/4" Footplate)	1060438	1060432	1060444	1091775-NLA See Note(s) A
14-16" W - Left (5-1/4" Footplate)	1060439	1060433	1060445	1091776-NLA See Note(s) A

NOTE: A - ALT4A Smart Legs are offered in 16 inch wide models only.