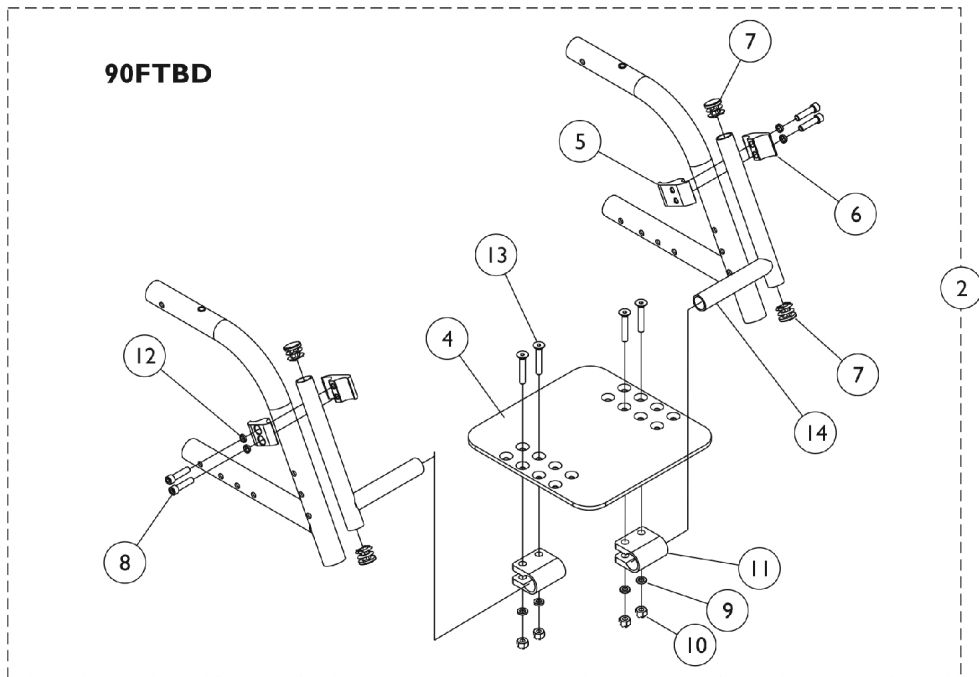
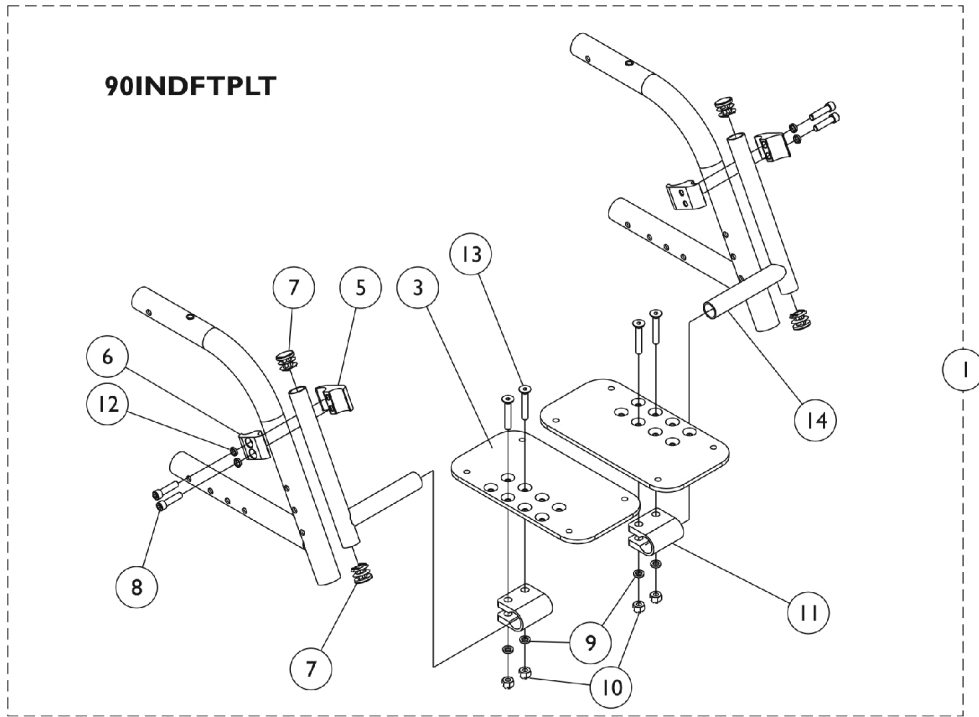


Adjustable Angle Footrest

90INDFTPLT and 90FTBD



Adjustable Angle Footrest 90INDFTPLT and 90FTBD

Item Number	Note	Part Number	Description	Quantity Per	
				Package	Assembly
1	A,E	1060470-NLA	NLA - Footplate Assembly, Adjustable Angle (10-13" W) (Pair)	2	1
1	A,F	1064536-NLA	NLA - Footplate Assembly, Adjustable Angle (14-15" W) (Pair)	2	1
1	A,G	1064537-NLA	NLA - Footplate Assembly, Adjustable Angle (16" W) (Pair)	2	1
2	B,C	1059602-NLA	NLA - One Piece Adjustable Angle Footboard Assembly (10-11" W)	1	1
2	B,D	1059603-NLA	NLA - One Piece Adjustable Angle Footboard Assembly (12-13" W)	1	1
2	B,F	1064534-NLA	NLA - One Piece Adjustable Angle Footboard Assembly (14-15" W)	1	1
2	B,G	1064535-NLA	NLA - One Piece Adjustable Angle Footboard Assembly (16" W)	1	1
3	E	1113571	Footplate, Adjustable Angle, Small, Black (3-1/4" W x 8" L)	1	2
3	F,H	1113572	Footplate, Adjustable Angle, Medium, Black (4-1/4" W x 8" L)	1	2
3	G,H	1113573	Footplate, Adjustable Angle, Large, Black (5-1/4" W x 8" L)	1	2
4	C	1058512-NLA	NLA - One Piece Footboard Assembly (10-11" W)	1	1
4	D	1058513-NLA	NLA - One Piece Footboard Assembly (12-13" W)	1	1
4	F	1063277-NLA	NLA - One Piece Footboard Assembly (14-15" W)	1	1
4	G	1063278-NLA	NLA - One Piece Footboard Assembly (16" W)	1	1
5		1043712	Clamp, Half, Threaded	1	2
6		1043711	Clamp, Half, Non-Threaded	1	2
7		1027097	Plug Button, Black (3/4")	1	4
8		1027268	Screw, Allen Head (1/4-20 x 1")	1	4
9		1013971	Washer, Nylon (1/4 x 7/16 x 5/64")	1	4
10		1065362	Locknut (1/4-28)	1	4
11		1058517	Clamp, Footplate	1	2
12		1013970-NLA	NLA - Lockwasher, High Collar (1/4")	1	4
13		1029545	Screw, Socket Flat Head (1/4-20 x 3/4")	1	2
14		1042009-NLA	NLA - Tube, Support, Footplate, Black	1	2

NOTE: A - Includes items 3 and 5 thru 14.

B - Includes items 4 and 5 thru 14.

C - 10-11" wide chairs

D - 12-13" wide chairs

E - 10-13" wide chairs

F - 14-15" wide chairs

G - 16" wide chairs

H - Replacement for chairs built before 9/2/2008 must be ordered in pairs.