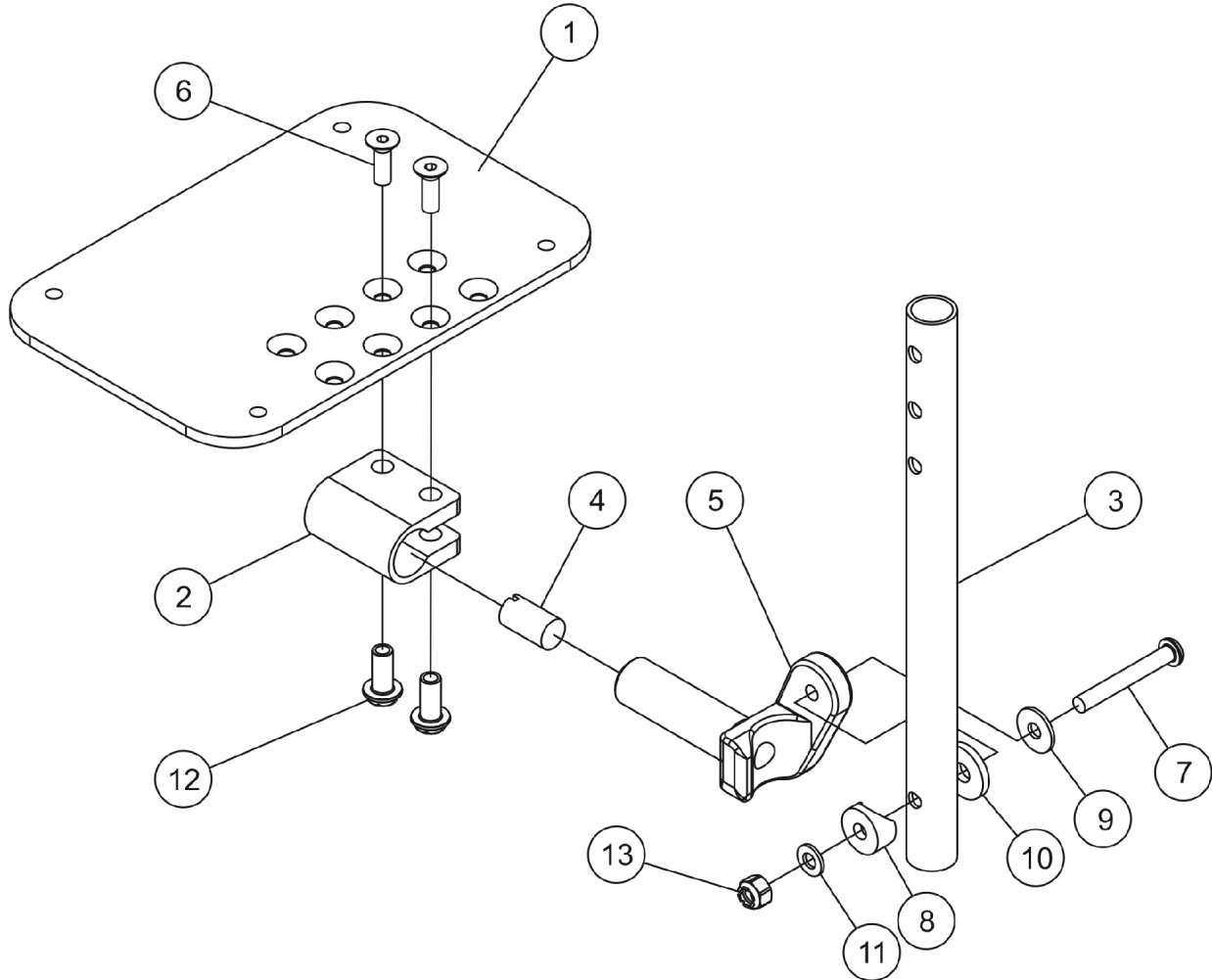


AT5543 Adjustable Angle Footplate Assemblies PW93, PW93E

NOTE: Heel loops are not included. See page titled "Footrest and Legrest Accessories".
NOTE: For complete pivot/slide tube and footplate assemblies, see page titled "Front Riggings Reference Chart".



AT5543 Adjustable Angle Footplate Assemblies

PW93, PW93E

NOTE: Heel loops are not included. See page titled "Footrest and Legrest Accessories".

NOTE: For complete pivot/slide tube and footplate assemblies, see page titled "Front Riggings Reference Chart".

Item Number	Note	Part Number	Description	Quantity Per	
				Package	Assembly
1	B,D	1113573	Footplate, Adjustable Angle, Large, Black (5-1/4" W x 8" L)	1	1
1	C,D	1113574	Footplate, Adjustable Angle, Extra Large, Black (6-1/4" W x 8" L)	1	1
2	A	1058517	Clamp, Footplate	1	1
3		1057855	Tube, Pivot and Slide, Straight, Steel, Black (9-7/8" L)	1	1
4		1048816	Screw, Nylon Adjustment (1/2-13 x 7/8")	1	1
5		1052102	Hinge, Footplate - Right	1	1
5		1052103	Hinge, Footplate - Left	1	1
6	A	1029545	Screw, Socket Flat Head (1/4-20 x 3/4")	1	2
7		1022831	Screw, Socket Button Head (1/4-20 x 1-7/8")	1	1
8		1025457	Spacer, Coved (1/4 x 3/4 x 11/32")	1	1
9		1026900	Washer (1/4 x 23/32 x 1/16")	1	1
10		1016301	Washer, Nylon (5/16 x 7/8 x 1/8")	1	1
11		1026907	Washer (1/4 x 1/2 x 1/16")	1	1
12	A	1082686	Nut, Barrel, Hex Head (1/4-20 x 11/16")	1	2
13		1025736	Locknut (1/4-20)	1	1

NOTE: A - Items 2, 6 and 12 must be ordered together for chairs manufactured before 8/10/99 due to a hardware change.
 B - 14" Wide.
 C - 16" and Wider.
 D - This footplate was revised 9/2/2008 with rounder corners and accessory holes changed from 8 to 4. Recommended to replace footplate in pairs to match sides.