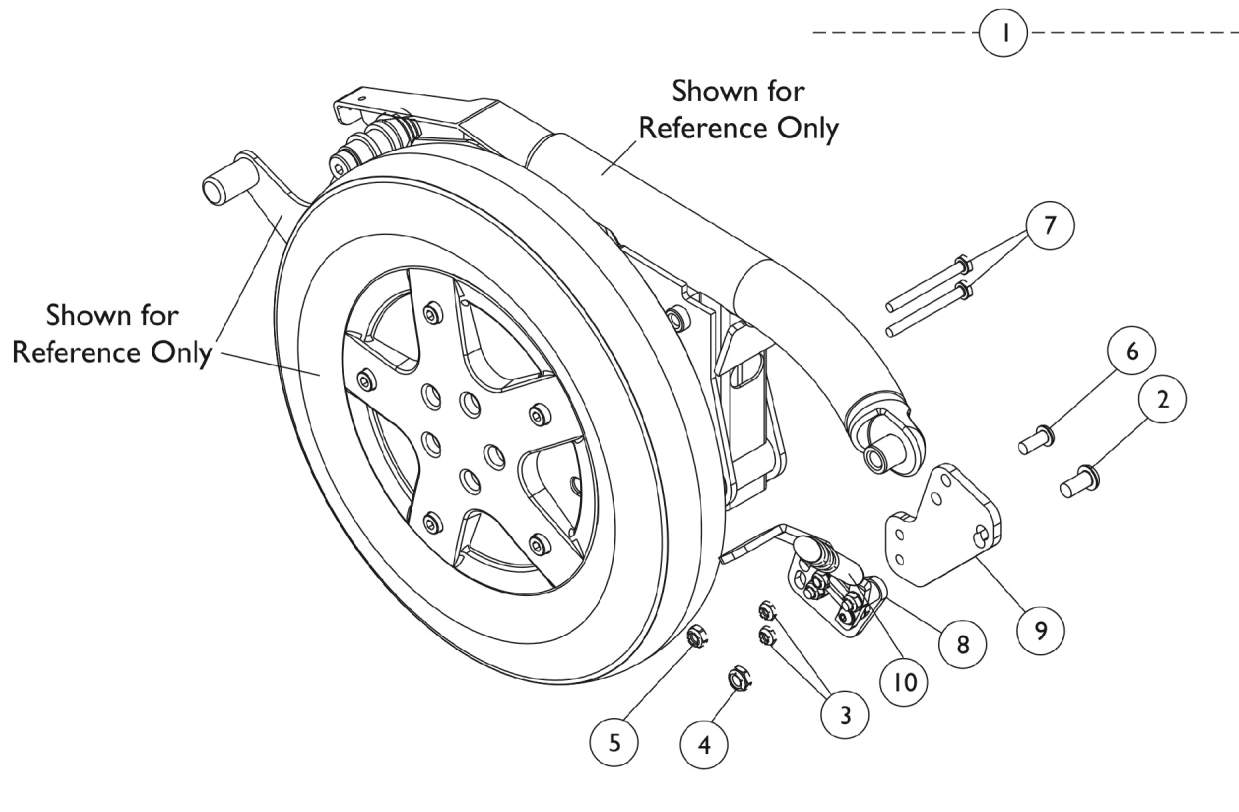


# Wheel Lock Assembly - TDX SR



## Wheel Lock Assembly - TDX SR

Item Number	Note	Part Number	Description	Quantity Per	
				Package	Assembly
1	A	1161567	NLA - Kit, Wheel Lock, TDXSR - Right	1	1
2			NLA - Screw, Socket Button Head (3/8-16 x 3/4")	1	1
3			Locknut (1/4-20)	1	2
4			Locknut, Low Profile (3/8-16)	1	1
5			Locknut (5/16-18)	1	1
6			Screw, Socket Button Head (5/16-18 x 3/4")	1	1
7			NLA - Screw, Hex Head w/Patch (1/4-20 x 2-1/2")	1	2
8			Wheel Lock Assembly - Right	1	1
9			Bracket, Mounting, Black	1	1
1	A	1161568	NLA - Kit, Wheel Lock, TDXSR - Left	1	1
2			NLA - Screw, Socket Button Head (3/8-16 x 3/4")	1	1
3			Locknut (1/4-20)	1	2
4			Locknut, Low Profile (3/8-16)	1	1
5			Locknut (5/16-18)	1	1
6			Screw, Socket Button Head (5/16-18 x 3/4")	1	1
7			NLA - Screw, Hex Head w/Patch (1/4-20 x 2-1/2")	1	2
8			Wheel Lock Assembly - Left	1	1
9			Bracket, Mounting, Black	1	1
8			1139885	Wheel Lock Assembly - Right	1
8	1139886	Wheel Lock Assembly - Left	1	1	
10		1101725	Cap, Brake Lever End, Black	1	1
10		1130584	Package, Cap, Brake Lever End, Black	10	1

NOTE: A - Includes items 2-9. Wheel Lock design is available for chairs manufactured after 01/26/09 and is not available for chairs manufactured prior to 01/27/09.