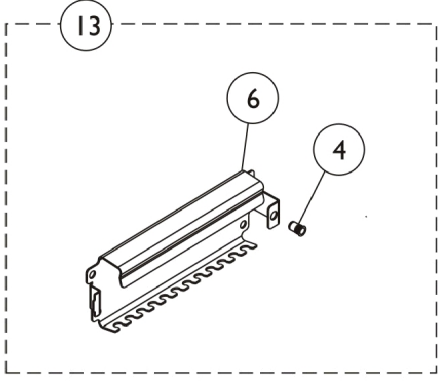
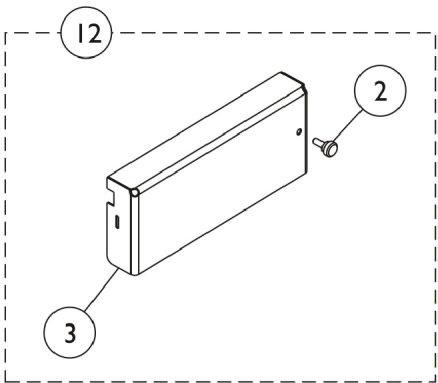
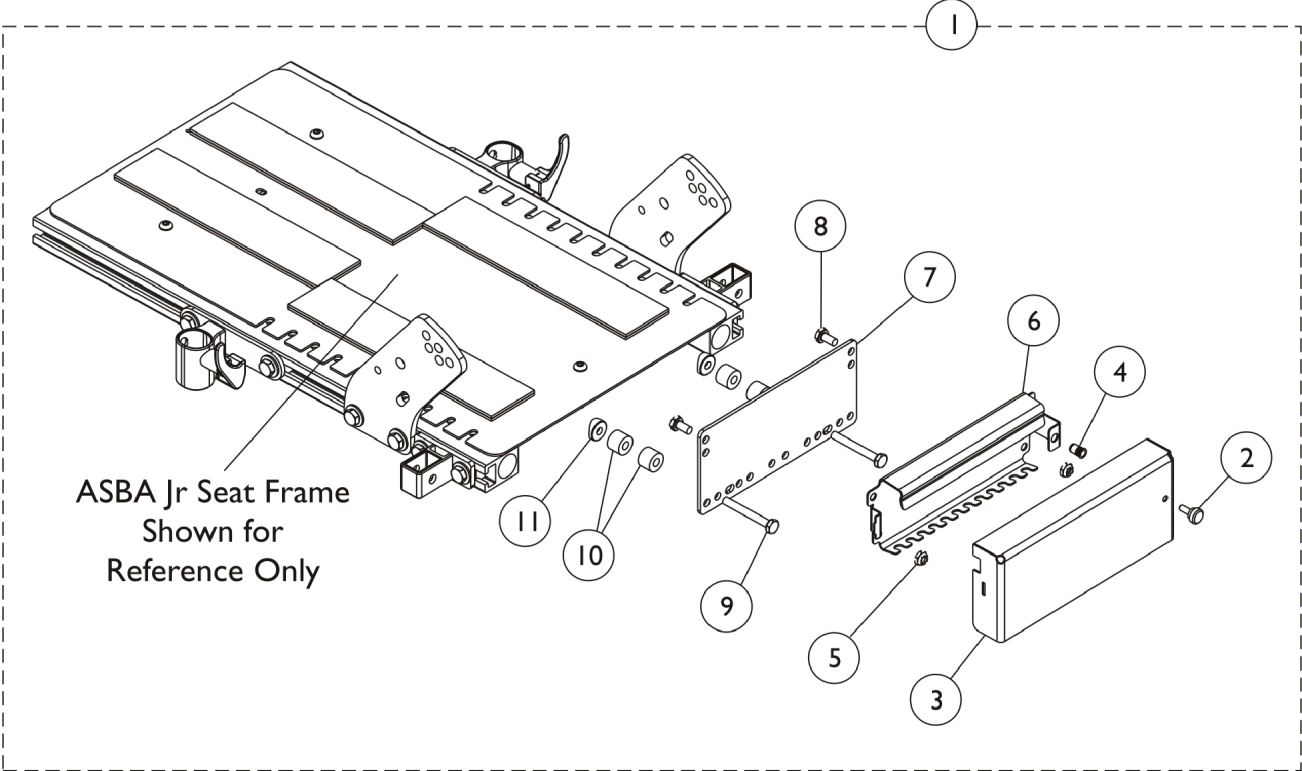


MK6i Connector Bracket and Hardware, ASBA JR. - TDX Spree



MK6i Connector Bracket and Hardware, ASBA JR. - TDX Spree

Item Number	Note	Part Number	Description	Quantity Per	
				Package	Assembly
1	A	1162205-NLA	NLA - Kit, Mk6i Bracket and Hardware	1	1
2			Screw, Thumb (#10-32 x 1/2")	1	1
3			Cover, MK6i Connector Bracket	1	1
4			Insert, Threaded (#10-32)	1	1
5			Locknut (1/4-20)	1	2
6			Bracket, MK6i Connector, Black	1	1
7			Plate, Mounting	1	1
8			NLA - Screw, Hex Head (1/4-20 x 1-1/2")	1	2
9			Screw, Hex Head w/ Patch (1/4-20 x 2")	1	2
10			Spacer, Coved (1/4 x 11/16 x 1/2")	1	2
11			NLA - Spacer (9/32 x 5/8 x 1/2")	1	4
12	B	1154126	Kit, MK6i Connector Bracket Cover and Attaching Screw	1	1
2			Cover, MK6i Connector Bracket	1	1
3			Screw, Thumb (#10-32 x 1/2")	1	1
13	C	1154125	Kit, MK6i Connector Bracket and Threaded Insert	1	1

NOTE: A - Includes items 2-11
B - Includes items 2 and 3
C - Includes items 4 and 6