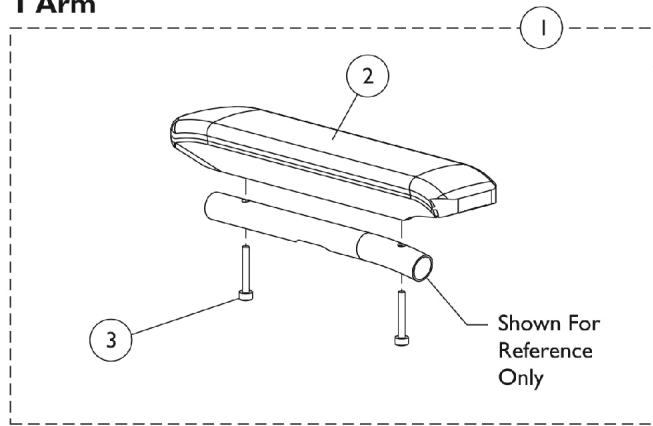
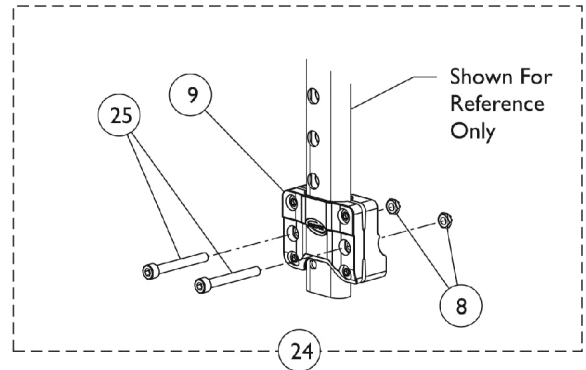
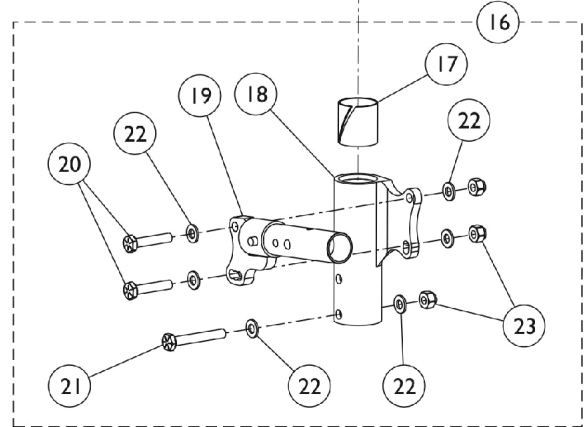
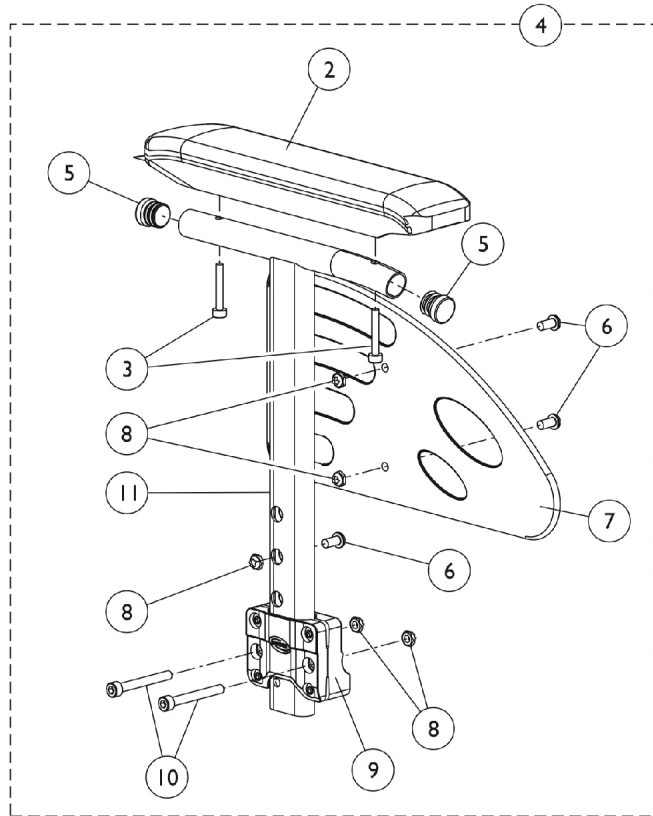
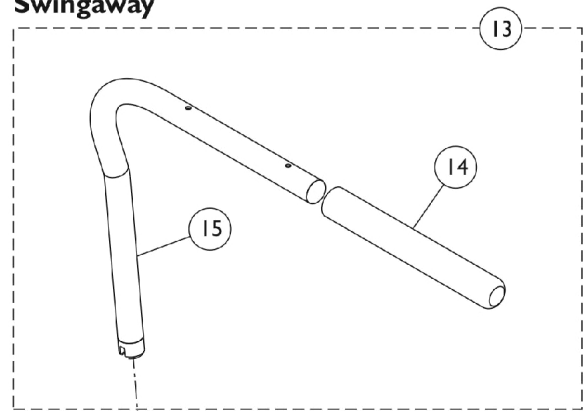


T-Arm & Swingaway

T Arm



Swingaway



T-Arm & Swingaway

T Arm and Swingaway

Item Number	Note	Part Number	Description	Quantity Per	
				Package	Assembly
1	A	1162413	Kit, Armpad, Desk Length (Pair) (CNAD, TAD)	1	1
2			Arm Pad, Desk Length	1	2
3			Screw, Socket Head, Torx (K50 x 30mm)	1	4
4	B	1160539-NLA	NLA - Arm Assembly, Adjustable Height, T-Arm, Desk - Right	1	1
2			Arm Pad, Desk Length	1	1
3			Screw, Socket, Button Head (M5 x 35mm)	1	2
5			Plug Button, Black (3/4")	1	2
6			Screw, Socket Button Head (M6 x 1 x 12mm)	1	3
7			Guard, Clothing - Right/Left	1	1
8			NLA - Locknut (M6 x 1)	1	5
9			NLA - Support, Armrest	1	1
10			NLA - Screw, Socket Head (M6 x 1 x .50mm)	1	2
11			Tube, Armrest - Right	1	1
4	B	1160540-NLA	NLA - Arm Assembly, Adjustable Height, T-Arm, Desk - Left	1	1
2			Arm Pad, Desk Length	1	1
3			Screw, Socket, Button Head (M5 x 35mm)	1	2
5			Plug Button, Black (3/4")	1	2
6			Screw, Socket Button Head (M6 x 1 x 12mm)	1	3
7			Guard, Clothing - Right/Left	1	1
8			NLA - Locknut (M6 x 1)	1	5
9			NLA - Support, Armrest	1	1
10			NLA - Screw, Socket Head (M6 x 1 x .50mm)	1	2
11			Tube, Armrest, Black - Left	1	1
13		1034345-NLA	NLA - Half Arm Assembly, Black - Right	1	1
13		1034346-NLA	NLA - Half Arm Assembly, Black - Left	1	1
14		1032244	Grip, Foam Hand (9" L)	1	1
15		1032202	Half Arm Tube - Right	1	1
15		1032203	Half Arm Tube - Left	1	1
16	C	1162412-NLA	NLA - Kit, Swingaway Arm Conversion	1	1
17			Sleeve, Bearing	1	2
18			NLA - Socket, Half Arm - Right	1	1
18			NLA - Socket, Half Arm - Left	1	1
19			NLA - Swingaway Arm Mounting Assembly - Left	1	1
19			NLA - Swingaway Arm Mounting Assembly - Right	1	1
20			Locknut (1/4-28)	1	6
21			NLA - Washer, Steel (1/4 x 1/2 x 3/64")	1	12
22			Screw, Hex (1/4-28 x 1-3/4")	1	2
23			Screw, Hex (1/4-28 x 1-1/2")	1	4
19		1159088-NLA	NLA - Swingaway Arm Mounting Assembly - Right	1	1
19		1159089-NLA	NLA - Swingaway Arm Mounting Assembly - Left	1	1
24	D	1430421	Kit, Attaching Hardware, T-Arm	1	1
8			NLA - Locknut (M6 x 1)	1	2
9			NLA - Support, Armrest	1	1
25			Screw, Socket Head (M6 x 50)	1	2

T-Arm & Swingaway

NOTE: A - Includes Items 2 and 3
B - Includes Items 2 and 3, Includes Items 5 thru 11
C - Includes Items 17 thru 23
D - Includes items 8, 9, and 25.