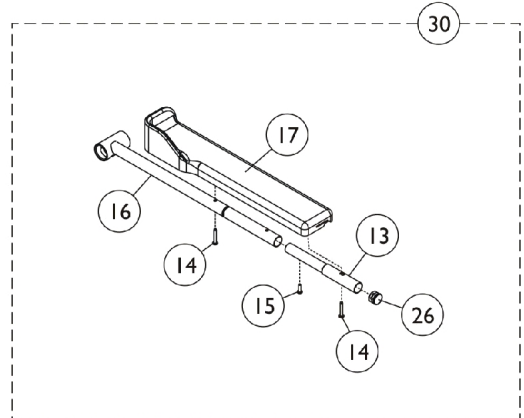
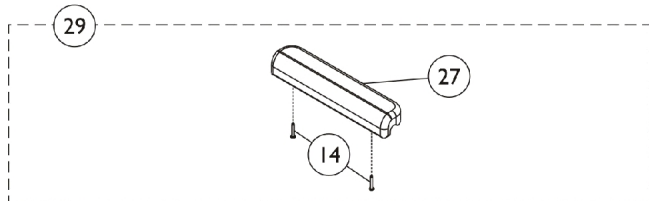
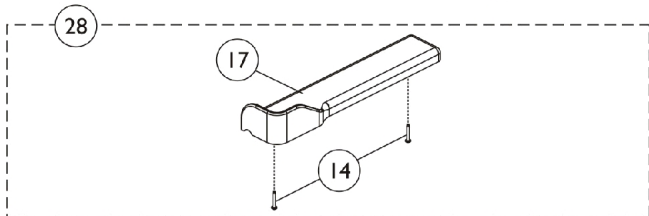
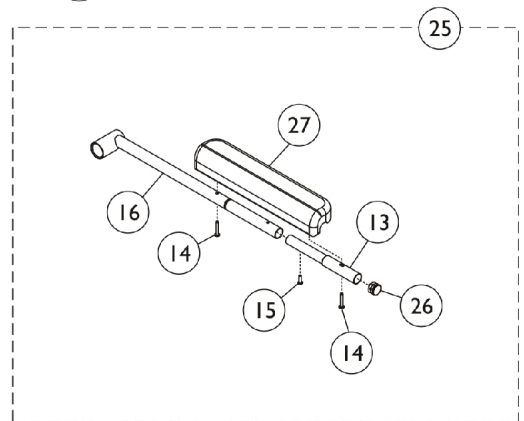
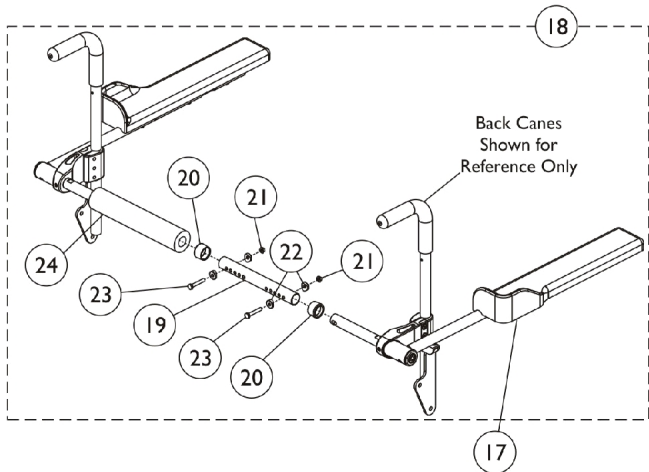
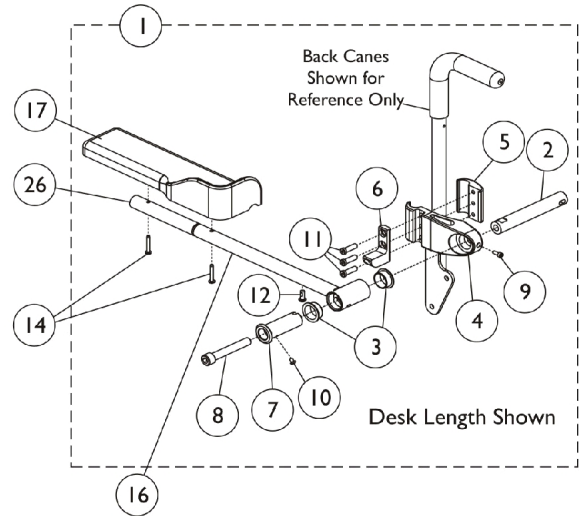
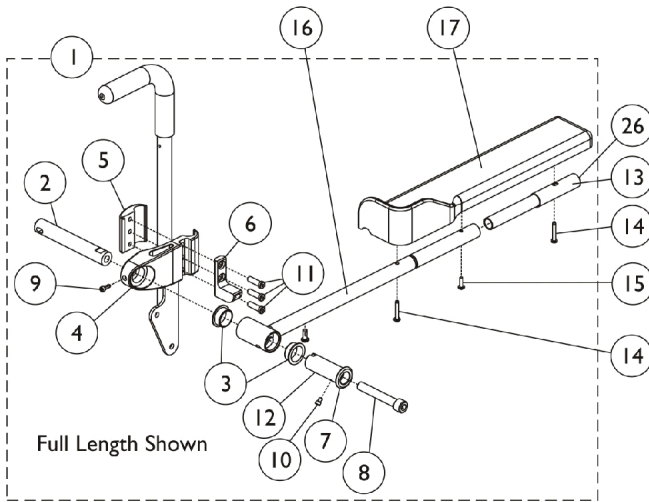


Cantilever Arms



Cantilever Arms

Item Number	Note	Part Number	Description	Quantity Per	
				Package	Assembly
1	A	1161126	Cantilever Arm Hardware, Full Length - Right	1	1
1	A	1161127	Cantilever Arm Hardware, Full Length - Left	1	1
1	A	1161128	Cantilever Arm Hardware, Desk Length - Right	1	1
1	A	1161129	Cantilever Arm Hardware, Desk Length - Left	1	1
2		1161235	Pivot, Black	1	1
3		1160902	Bearing, Flange	1	2
4		1161232	Clamp, Black	1	1
5		1161233	Clamp, Block, Black	1	1
6		1162791	Tab, Stop, Black	1	1
7		1162515	Bushing, Pivot Arm	1	1
8		1162804-NLA	NLA - Screw, Socket Head w/ Patch (1/2-13 x 3-3/4")	1	1
9		1113438-NLA	NLA - 3Screw, Socket Head (#10-32 x 1/2")	1	1
10		1161708-NLA	NLA - Screw, Socket Button Head (10-32 x 1/4")	1	2
11		1114962-NLA	NLA - Screw, Socket Head (5/16-18 x 1")	1	3
12		1025342-NLA	NLA - Screw, Button Head (1/4-20 x 5/8")	1	1
13		0028202	Tube, Extension, Full Length	1	1
14		1107155	Screw, Phillips Pan Head Tap (#10-32 x 1-1/4")	1	2
15		1028755	Screw, Phillips Pan Head (#10-32 x 5/8")	1	1
16		1160904	Tube, Arm, Waterfall - Right	1	1
16		1160905	Tube, Arm, Waterfall - Left	1	1
16		1161701	Tube, Arm, Recline - Right	1	1
16		1161702	Tube, Arm, Recline - Left	1	1
17		1082910	Pad, Arm w/ Elbow Stop, Desk Length, Urethane, Black - Right (13" L x 3" W)	1	1
17		1082911	Pad, Arm w/ Elbow Stop, Desk Length, Urethane, Black - Left (13" L x 3" W)	1	1
17		1082912	Pad, Arm w/ Elbow Stop, Full Length, Urethane, Black - Right (17" L x 3" W)	1	1
17		1082913	Pad, Arm w/ Elbow Stop, Full Length, Urethane, Black - Left (17" L x 3" W)	1	1
18	B	1161557	Cantilever Spreader Arm Assembly (16 - 20" W)	1	1
18	B	1161558	Cantilever Spreader Arm Assembly (20 - 24" W)	1	1
19		1120280	Tube, Spreader Bar, Adjustable, Black (16 - 20" W)	1	1
19		1120281	Tube, Spreader Bar, Adjustable, Black (20 - 24" W)	1	1
20		15680X013	Anti-Rattle (1")	1	2
21		1025195	Locknut (1/4-20)	1	2
22		1026099	Spacer, Coved (1/4 x 11/16 x 1/2")	1	4
23		1030949	Screw, Hex Head (1/4-20 x 1-1/2")	1	2
24		1127158	Cover, Spreader Bar (16-20" W)	1	1
24		1161930	Cover, Spreader Bar (20-24" W)	1	1
25	C	1161972	Cantilever Arm Assembly w/ Arm Pad, Full Length - Right	1	1
25	C	1161973	Cantilever Arm Assembly w/ Arm Pad, Full Length - Left	1	1
25	H	1161976	Cantilever Arm Assembly w/ Arm Pad, Desk Length - Right	1	1
25	H	1161977	Cantilever Arm Assembly w/ Arm Pad, Desk Length - Left	1	1

Cantilever Arms

Item Number	Note	Part Number	Description	Quantity Per	
				Package	Assembly
26		1027095	Plug Button, Black (7/8")	1	1
27	I	See Note	See Footnote	1	1
28	D	1090190	Kit, Arm Pad w/ Screws and Elbow Stop, Desk Length, Urethane, Black (13" L x 3" W) (Pair)	1	1
28	D	1090191	Kit, Arm Pad w/ Screws and Elbow Stop, Full Length, Urethane, Black (17" L x 3" W) (Pair)	1	1
29	E	1117327	Kit, Arm Pad w/ Screws, Desk Length, Urethane Waterfall, Black (9" L x 2-5/8" W)	1	1
29	E	1117328	Kit, Arm Pad w/ Screws, Full Length, Urethane Waterfall, Black (13" L x 2-5/8" W)	1	1
30	F	1161974	Cantilever Arm Assembly w/ Arm Pad, Recline, Full Length - Right	1	1
30	F	1161975	Cantilever Arm Assembly w/ Arm Pad, Recline, Full Length - Left	1	1
30	G	1161978	Cantilever Arm Assembly w/ Arm Pad, Recline, Desk Length - Right	1	1
30	G	1161979	Cantilever Arm Assembly w/ Arm Pad, Recline, Desk Length - Left	1	1

NOTE: A - Includes items 2-12.
 B - Includes items 19-24.
 C - Includes items 13-16, 26 and 27.
 D - Includes items 14 and 17.
 E - Includes items 14 and 27.
 F - Includes items 13-17 and 26.
 G - Includes items 14, 16, 17 and 26.
 H - Includes items 14, 16, 26 and 27.
 I - Part not sold separately. See item 29.