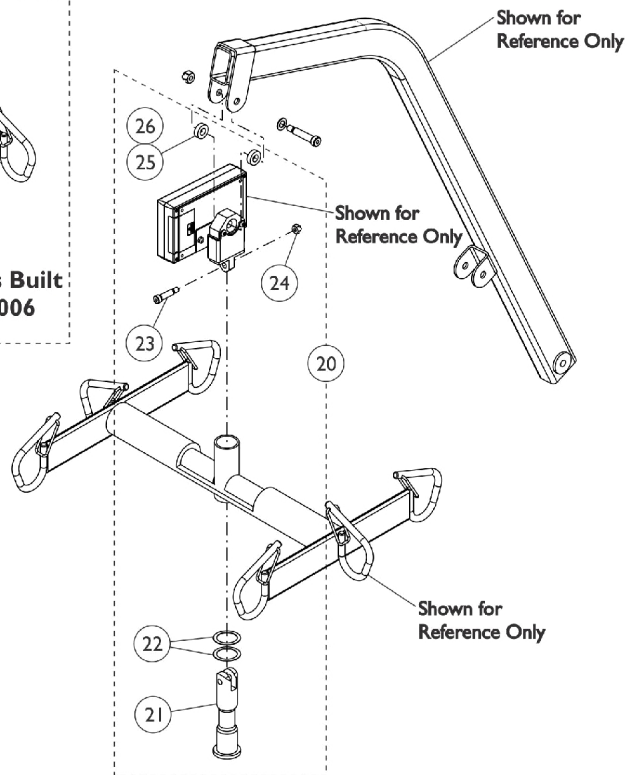
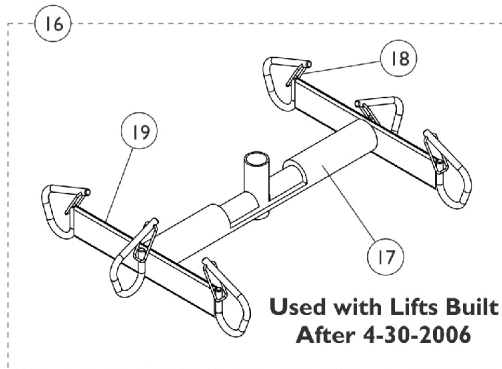
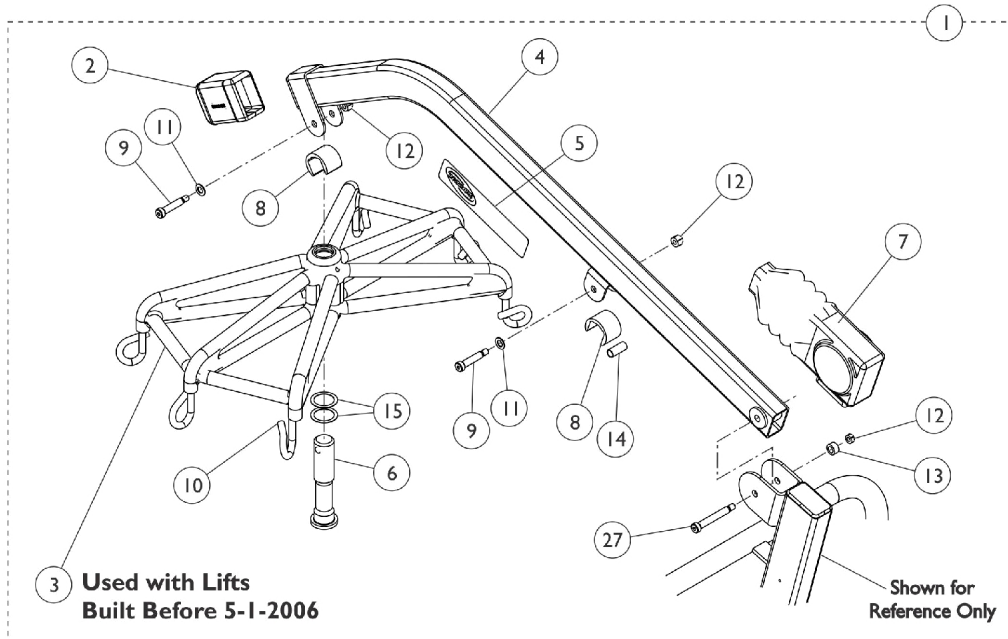


Boom Assembly

Model - RPA600-1



Using Scale Option

Boom Assembly

Model - RPA600-1

Item Number	Note	Part Number	Description	Quantity Per	
				Package	Assembly
1	B	1082596-NLA	NLA - Kit, Mast & Boom	1	1
2	K	1078983-NLA	NLA - Tube Cover with Internal End Cap Assembly	1	1
2	L	1152114	Tube Cover with Internal End Cap Assembly	1	1
3	G	1070960-NLA	NLA - Bracket, Hanger	1	1
	A	1065360	Cap, End, Black (1-1/4 x 2")	1	1
4	J	1079046	Boom	1	1
5		1070953-NLA	NLA - Decal	1	1
5		1120527	Decal, Lift Reliant 600	1	1
6	C	1064339	Pin, Hanger	1	1
7		1063234	Boot	1	1
8		1069053-NLA	NLA - Guard, Finger, Hydraulic Pump	1	2
9		1031665	Screw, Shoulder Hex Socket Head (3/8 x 1-1/2", 5/16-18)	1	2
10	D,E	1137247-NLA	NLA - Package, Rubber Tip, Beige	6	1
11		1065214	Washer, Flat (3/8 x 11/16 x 1/16")	1	2
12		1064267	Locknut (5/16-18)	1	2
13		1129466	Spacer (3/8 x 5/8 x 11/32")	1	1
14		1064443	Bushing (3/8 x 15/32 x 1-3/32")	1	2
15		1064338	Washer, Nylon (1-9/64 x 1-1/2 x 1/64")	1	2
16		1143630	Kit, Hanger Bar Retrofit - Extra Large	1	1
			Bar, Hanger	1	1
			Bar, Pad	1	1
17	F	1070969	Bar, Pad	1	1
18		1147501	Kit, Latch - Hanger Bar	1	1
			Package, Latch	6	1
19	F	1132034	Bar, Hanger	1	1
20	H	1147502	Kit, Scale Hardware	1	1
21			Pin, Hanger	1	1
22			Washer, Nylon (1-9/64 x 1-1/2 x 1/64")	1	2
23			Screw, Shoulder, Socket (5/16 x 1, 1/4-20 Thread)	1	1
24			Locknut (1/4-20)	1	2
25			Washer, Flat (3/8 x 11/16 x 1/16")	1	2
26			Spacer (3/8 x 5/8 x 11/32")	1	2
27		1129465	Screw, Shoulder Hex Socket Head (3/8 x 2-1/4", 5/16-18)	1	1

NOTE: A - After 5-13-1999, End Cap is Incorporated into (item 2) Tube Cover with Internal End Cap Assembly.
 B - For Mast Assembly see section titled "Mast Assembly RPA600-1."
 C - Not Shown.
 D - Includes (6) Rubber Tips and Instruction Sheet.
 E - Used on Spreader Bar Hooks.
 F - Use on Boom Assembly "After 4-30-2006."
 G - Use on Boom Assembly "Before 5-1-2006."
 H - Used to mount Hanger Bar to Boom when using a Reliant Scale option. Use the Hanger Pin in this kit to mount the Scale and Hanger Bar to Boom.
 J - As of 11-17-2008, the U Bracket that supports the hanger bar is now welded around the boom instead of under the boom and is backward compatible to lifts manufactured before 11/17/08.
 K - Used on equipment built before 11-17-2008.
 L - Used on equipment built after 11-16-2008.