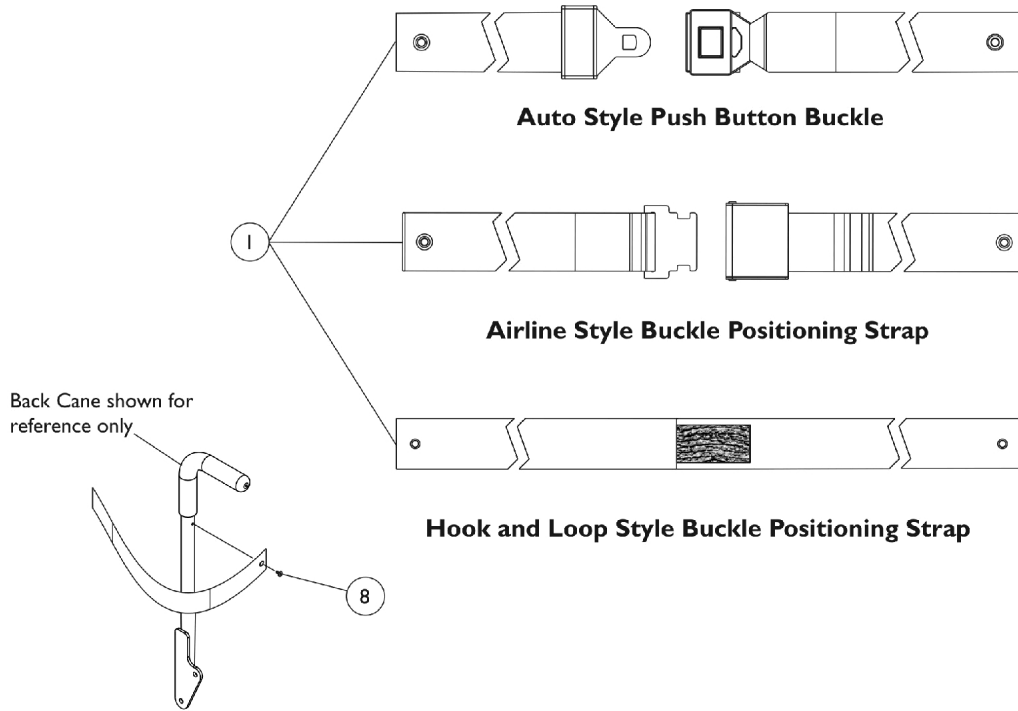
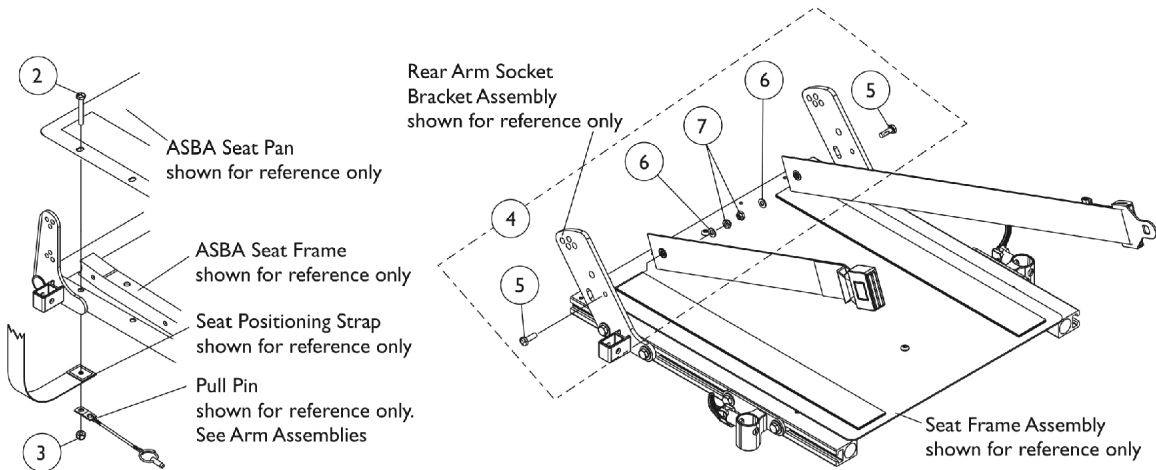


Seat/Chest Positioning Straps

NOTE: Chest Positioning Straps share the same hardware that attaches an ABS & Metal Curved Back Assembly



Chest Positioning Strap Mounting Hardware (For ABS & Metal Curved Backs)



Seat Positioning Strap Mounting Hardware (For ASBA Seating)

Seat Positioning Strap Mounting Hardware (For ADJASBA Seating)

Seat/Chest Positioning Straps

NOTE: Chest Positioning Straps share the same hardware that attaches an ABS & Metal Curved Back Assembly

Item Number	Note	Part Number	Description	Quantity Per	
				Package	Assembly
1		See Chart	#1 Positioning Straps	1	1
2		1037610	Screw, Hex Head (1/4-20 x 1-5/8")	1	2
3		1025736	Locknut (1/4-20)	1	2
4		1124385	Kit, Seat Positioning Strap Mounting Hardware (both LT & RT sides)	1	1
5			Screw, Hex Head w/ Patch (1/4-20 x 3/4")	1	2
6			Washer (1/4 x 1/2 x 1/16")	1	2
7			Locknut (1/4-20)	1	2
8		1026298	Package, Screw with Washer (#10 x 7/8") (Pair)	2	1

Seat/Chest Positioning Straps

NOTE: Chest Positioning Straps share the same hardware that attaches an ABS & Metal Curved Back Assembly

#1 Positioning Straps

Description	16"-19" Wide	20"-22" Wide
Auto Style Push Button	1004310 Strap, Positioning, Seat/Chest w/ Auto Style Push Button Buckle (Eyelet to Eyelet Length 48")	1034625 Strap, Positioning, Seat/Chest w/ Auto Style Push Button Buckle (Eyelet to Eyelet Length 61")
Airline Style	TAGTS1034751-NLA NLA - Strap, Positioning, Seat/Chest w/ Airline Style Buckle (Eyelet to Eyelet Length 46")	1034752-NLA NLA - Strap, Positioning, Seat/Chest w/ Airline Style Buckle (Eyelet to Eyelet Length 61") See Note(s) B
Hook and Loop See Note(s) A	1034745 Strap, Positioning, Seat/Chest w/ Hook and Loop Style Buckle (Eyelet to Eyelet Length 61")	1034745 Strap, Positioning, Seat/Chest w/ Hook and Loop Style Buckle (Eyelet to Eyelet Length 61")
<p>NOTE: A - Hook and Loop style positioning strap for power chairs is used for chest positioning only B - 1034752 Airline Buckle Style is No Longer Available. Use Auto Style part number 1034625 as a replacement.</p>		