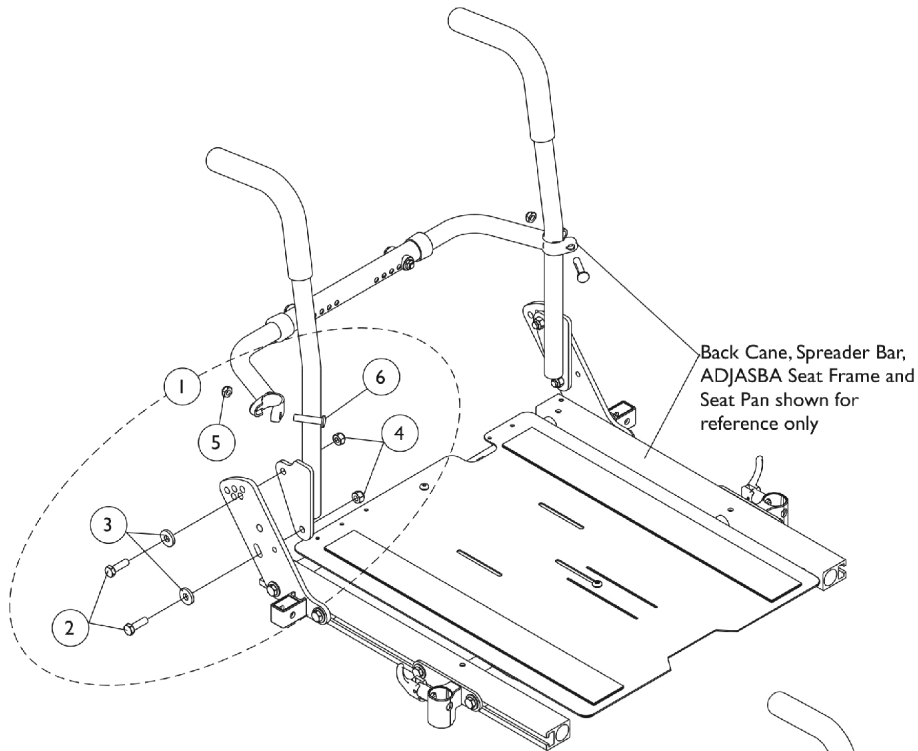
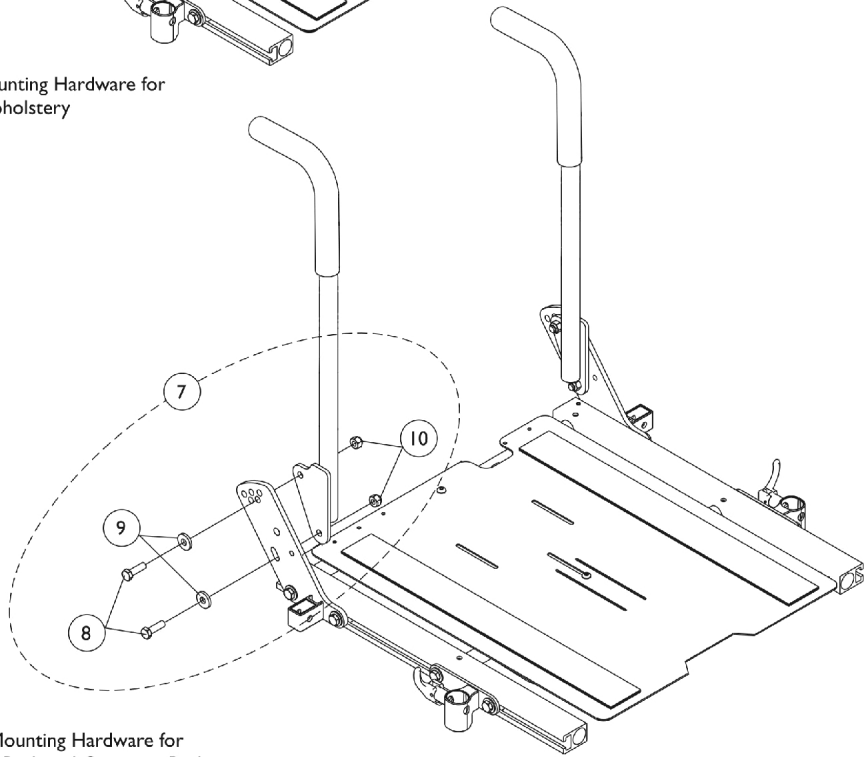


# Back Cane Mounting Hardware (16-24" Wide) For Round Canes



Back Cane Mounting Hardware for  
Nylon Back Upholstery



Back Cane Mounting Hardware for  
ABS Curved Back and Contoura Back

## Back Cane Mounting Hardware (16-24" Wide) For Round Canes

Item Number	Note	Part Number	Description	Quantity Per	
				Package	Assembly
1	A	1133755	Kit, Back Cane Mounting Hardware (Pair)	2	1
2			Screw, Hex Head (5/16-18 x 1")	1	4
3			Washer, Flat (21/64 x 53/64 x 7/64")	1	4
4			Locknut (5/16-18)	1	4
5			Locknut (5/16-24)	1	2
6			Screw w/ Lug (5/16-24 x 1-3/8")	1	2
7	B	1135999	Kit, Back Cane Mounting Hardware (Pair)	1	1
8			Screw, Hex Head (5/16-18 x 1")	1	4
9			Washer, Flat (21/64 x 53/64 x 7/64")	1	4
10			Locknut (5/16-18)	1	4
NOTE: A - Includes items 2-6. Used when Nylon Back Upholstery is ordered with Round Canes B - Includes items 2-6. Used for Contoura, ABS Curved and Metal Curved Back models					