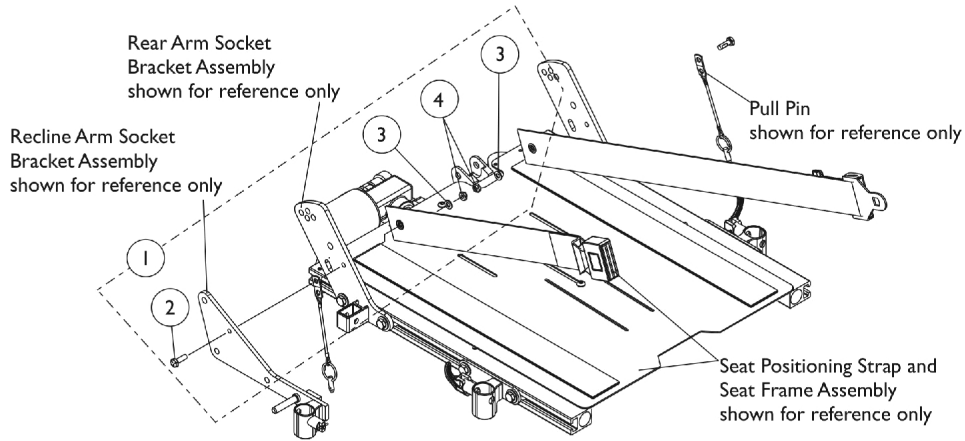
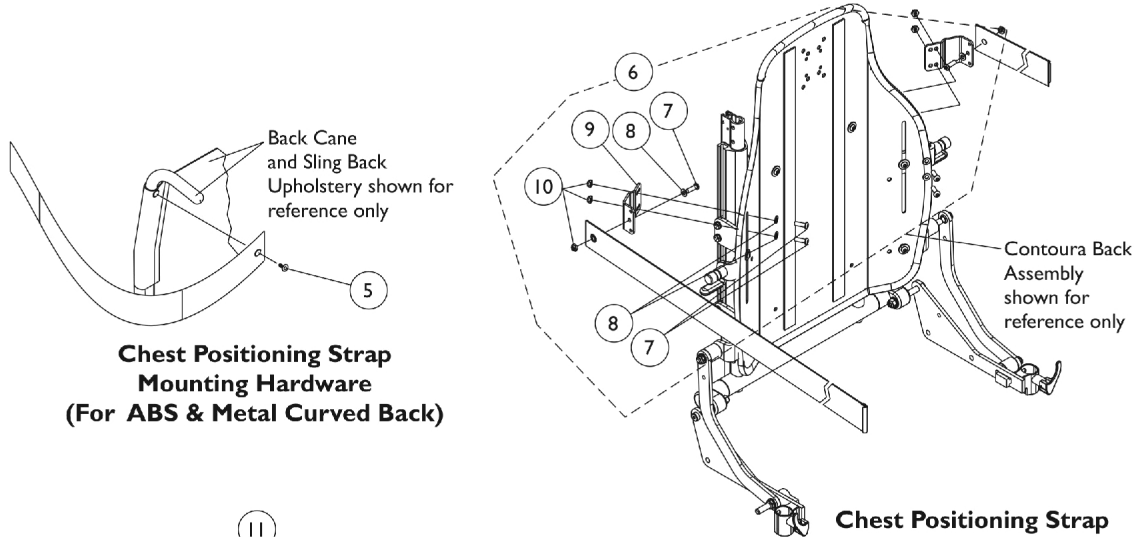


Seat and Chest Positioning Straps Mounting Hardware

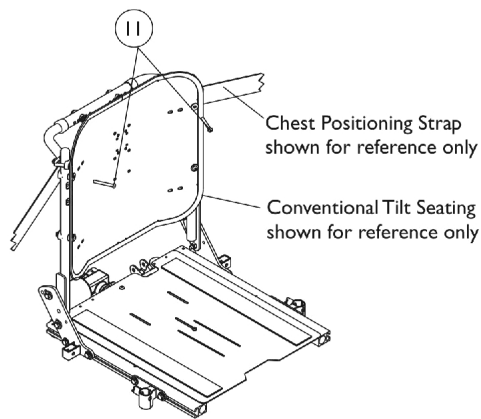


**Seat Positioning Strap Mounting Hardware
(All Systems)**



**Chest Positioning Strap Mounting Hardware
(For ABS & Metal Curved Back)**

**Chest Positioning Strap Mounting Hardware
(For Contoura Seating)**



**Chest Positioning Strap Mounting Hardware
(For Solid Straight Back Canes)**

Seat and Chest Positioning Straps Mounting Hardware

Item Number	Note	Part Number	Description	Quantity Per	
				Package	Assembly
1	E,A	1124385	Kit, Seat Positioning Strap Mounting Hardware (both LT & RT sides)	1	1
2			Screw, Hex Head w/ Patch (1/4-20 x 3/4")	1	2
3			Washer (1/4 x 1/2 x 1/16")	1	2
4			Locknut (1/4-20)	1	2
5	B	1026298	Package, Screw with Washer (#10 x 7/8") (Pair)	2	1
6	C,E	1125798	Kit, Chest Positioning Strap's Mounting Hardware For Contoura Seating (both LT & RT sides)	1	1
7			Screw, Socket Button (1/4-20 x 3/4")	1	6
8			Washer (1/4 x 1/2 x 1/16")	1	6
9			Bracket, Positioning Strap, Black	1	2
10			Locknut (1/4-20)	1	6
11	D	1128732-NLA	NLA - Package, Screw, Socket Button Head (1/4-20 x 2") (Pair)	2	1

NOTE: A - Includes items 2-4
B - The back upholstery and chest positioning strap share the same mounting hardware
C - Includes items 7-10
D - Used for mounting chest positioning straps to solid straight back canes
E - Contains hardware for both left and right sides.