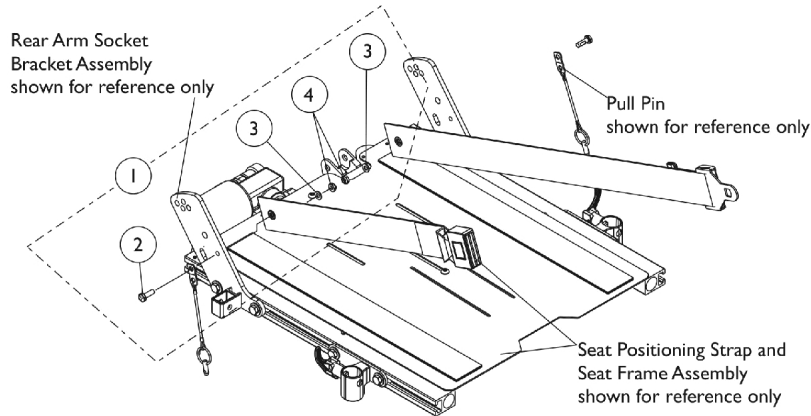
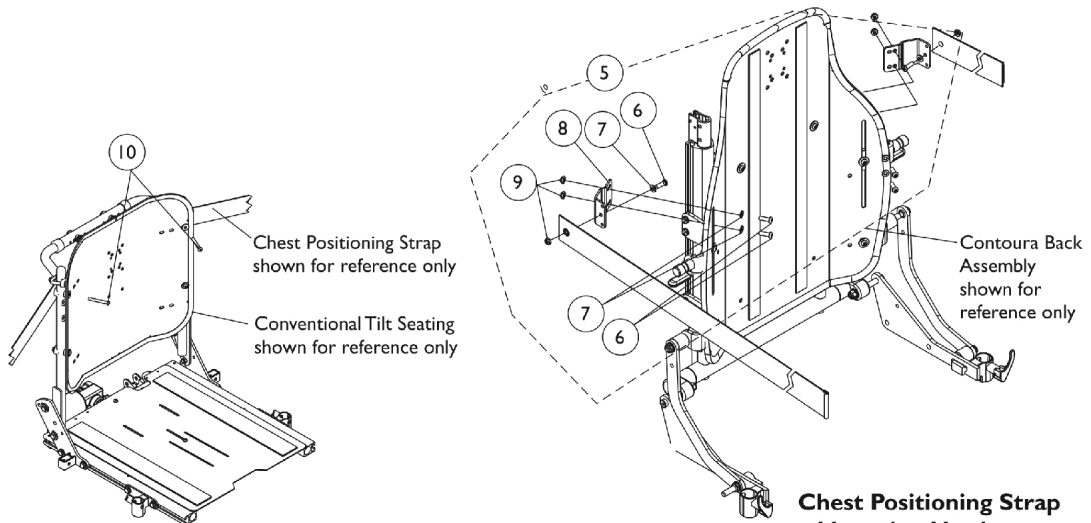


Seat and Chest Positioning Straps Mounting Hardware

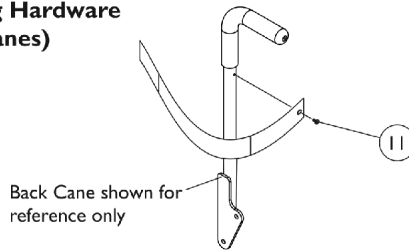


**Seat Positioning Strap Mounting Hardware
(All Systems)**



**Chest Positioning Strap Mounting Hardware
(For Solid Straight Back Canes)**

**Chest Positioning Strap Mounting Hardware
(For Contoura Seating)**



**Chest Positioning Strap Mounting Hardware
(For ABS & Metal Curved Back)
and
CGT w/ BPO Option**

Seat and Chest Positioning Straps Mounting Hardware

| Item Number | Note | Part Number | Description | Quantity Per | |
|-------------|------|-------------|--|--------------|----------|
| | | | | Package | Assembly |
| 1 | A | 1124385 | Kit, Seat Positioning Strap Mounting Hardware (both LT & RT sides) | 1 | 1 |
| 2 | | | Screw, Hex Head w/ Patch (1/4-20 x 3/4") | 1 | 2 |
| 3 | | | Washer (1/4 x 1/2 x 1/16") | 1 | 2 |
| 4 | | | Locknut (1/4-20) | 1 | 2 |
| 5 | B | 1125798 | Kit, Chest Positioning Strap's Mounting Hardware For Contoura Seating (both LT & RT sides) | 1 | 1 |
| 6 | | | Screw, Socket Button (1/4-20 x 3/4") | 1 | 6 |
| 7 | | | Washer (1/4 x 1/2 x 1/16") | 1 | 6 |
| 8 | | | Bracket, Positioning Strap, Black | 1 | 2 |
| 9 | | | Locknut (1/4-20) | 1 | 6 |
| 10 | C | 1128732-NLA | NLA - Package, Screw, Socket Button Head (1/4-20 x 2") (Pair) | 2 | 1 |
| 11 | D | 1026298 | Package, Screw with Washer (#10 x 7/8") (Pair) | 2 | 1 |

NOTE: A - Includes items 2-4
B - Includes items 6-9
C - Used for mounting chest positioning straps to solid straight back canes
D - Used for mounting chest positioning straps to (ABS & Metal Curved Backs) and CGT with BPO Option