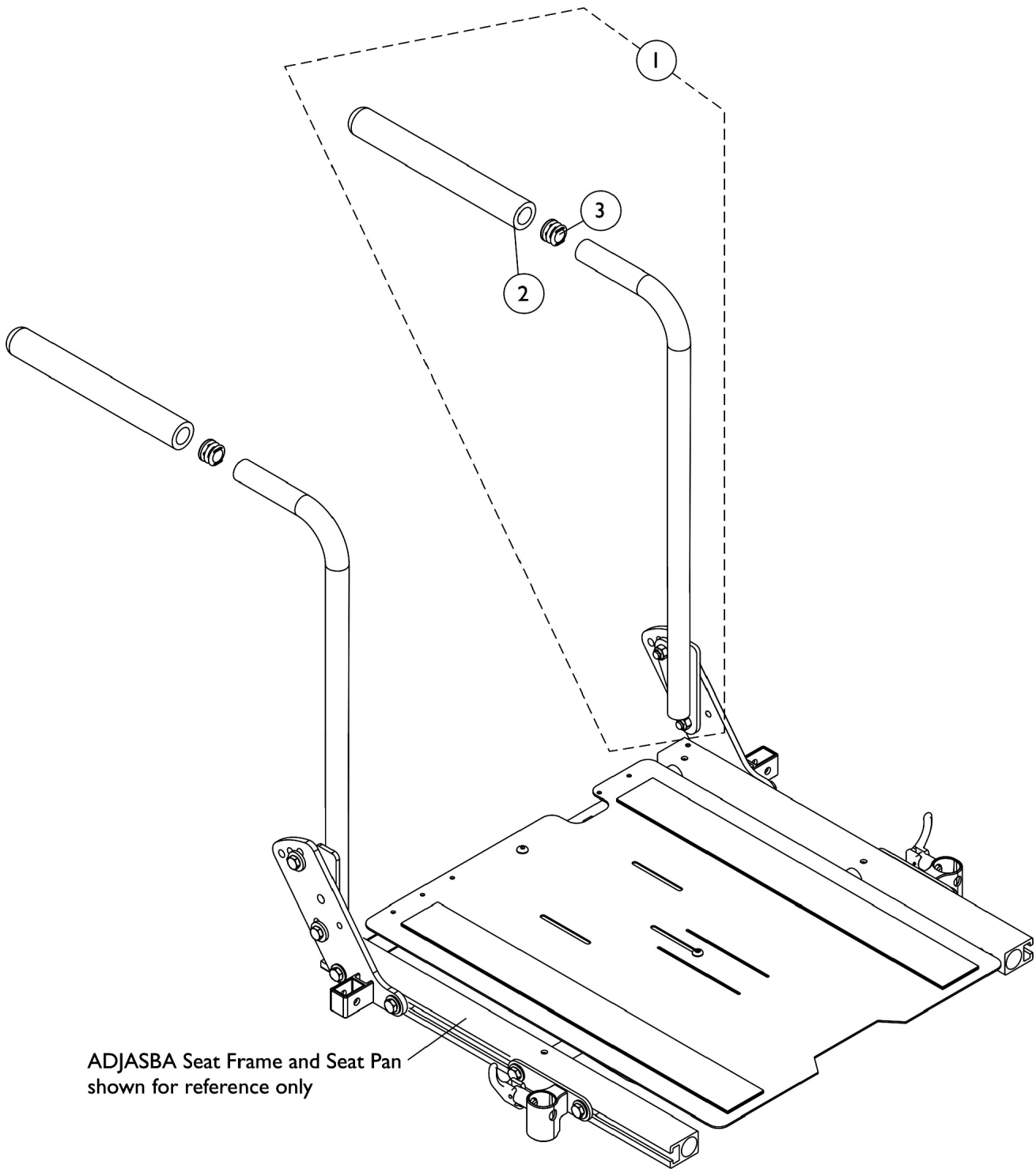


Back Canes

(16"-20" Wide) Contoura Back, ABS & Metal Curved Back and Tilt w/ BPO
Option - TDX SC



Back Canes

(16"-20" Wide) Contoura Back, ABS & Metal Curved Back and Tilt w/ BPO Option - TDX SC

Item Number	Note	Part Number	Description	Quantity Per	
				Package	Assembly
1	A	See Chart	#1 Back Cane Assemblies	1	1
2		1135506	Package, Foam Hand Grip (9" L)	10	1
3		1134426	Package, Plug Button, Black (3/4")	10	1

NOTE: A - Includes the Back Cane and items 2 and 3

#1 Back Cane Assemblies

Back Height	Back Cane-Push Handle Straight Right	Back Cane-Push Handle Straight Left
16"	1133793	1133794
17"	1133795	1133796
18"	1143334	1143335
19"	See Note(s) B 1133799	See Note(s) B 1133800
20"	1133801 See Note(s) D, C	1133802 See Note(s) D, C
21"	1136011 See Note(s) A	1136012 See Note(s) A
22"	1136013 See Note(s) A	1136014 See Note(s) A
23"	1136015 See Note(s) A	1136016 See Note(s) A
24"	1136017 See Note(s) A	1136018 See Note(s) A
25"	1160328	1160329
26"	1160330	1160331

NOTE: A - 21"-26" high straight back canes with push handles are only offered On-Chair when a BPO Option is ordered
 B - Wheelchairs manufactured before 5/15/09 with a Contoura Back 25" or 29" high and wheelchairs manufactured after 5/14/09 with a Curve Contoura Back 22" high will use the 18" high Straight Back Cane w/ Push Handle.
 C - All (20"-24" high ABS Plastic) or (20"-26" high Metal Curved Backs) ordered On-Chair use the 20" high straight cane w/ push handle
 D - Wheelchairs manufactured after 5/14/09 with a Curve Contoura Back 25" or 28" high will use the 20" high Straight Cane w/ Push Handle.

NOTE: Back Cane Assemblies include Foam Grips and Plug Buttons where shown