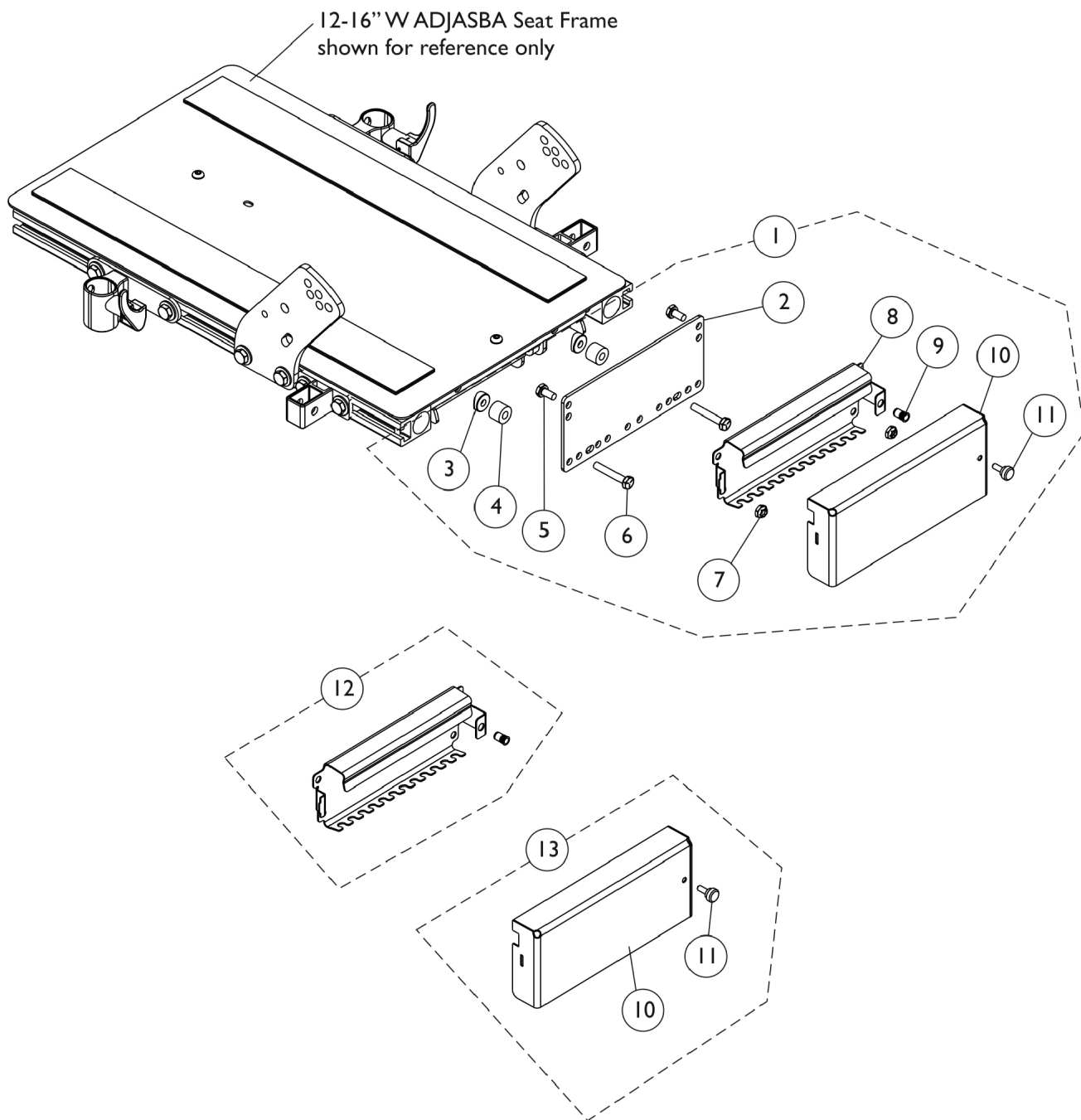


# MK6i Connector Bracket and Mounting Hardware (12-16" W) ADJASBA w/ (PBR, PBT, PPR, PPT)

This hardware is not used for a power wheelchair with a SPJ+, SPJ+ w/ PSS (SPJAP) or SPJ+ w/ ACC (SPJAPM) joystick



# MK6i Connector Bracket and Mounting Hardware (12-16" W) ADJASBA w/ (PBR, PBT, PPR, PPT)

This hardware is not used for a power wheelchair with a SPJ+, SPJ+ w/ PSS (SPJAP) or SPJ+ w/ ACC (SPJAPM) joystick

Item Number	Note	Part Number	Description	Quantity Per	
				Package	Assembly
1	A	1157739-NLA	NLA - Kit, MK6i Connector Bracket and Mounting Hardware	1	1
2			Plate, Mounting	1	1
3			Spacer, Coved (1/4 x 11/16 x 1/2")	1	2
4			NLA - Spacer (9/32 x 5/8 x 1/2")	1	2
5			NLA - Screw, Hex Head (1/4-20 x 1-1/2")	1	2
6			NLA - Screw, Hex Head w/ Patch (1/4-20 x 1-1/2")	1	2
7			Locknut (1/4-20)	1	2
8			Bracket, MK6i Connector, Black	1	1
9			Insert, Threaded (#10-32)	1	1
10			Cover, MK6i Connector Bracket	1	1
11			Screw, Thumb (#10-32 x 1/2")	1	1
12		1154125	Kit, MK6i Connector Bracket and Threaded Insert	1	1
13	B	1154126	Kit, MK6i Connector Bracket Cover and Attaching Screw	1	1
10			Cover, MK6i Connector Bracket	1	1
11			Screw, Thumb (#10-32 x 1/2")	1	1
NOTE: A - Includes items 2-11 B - Includes items 10 and 11					
NOTE: PBR, PBT, PPR and PPT refer to Personal Back model types					