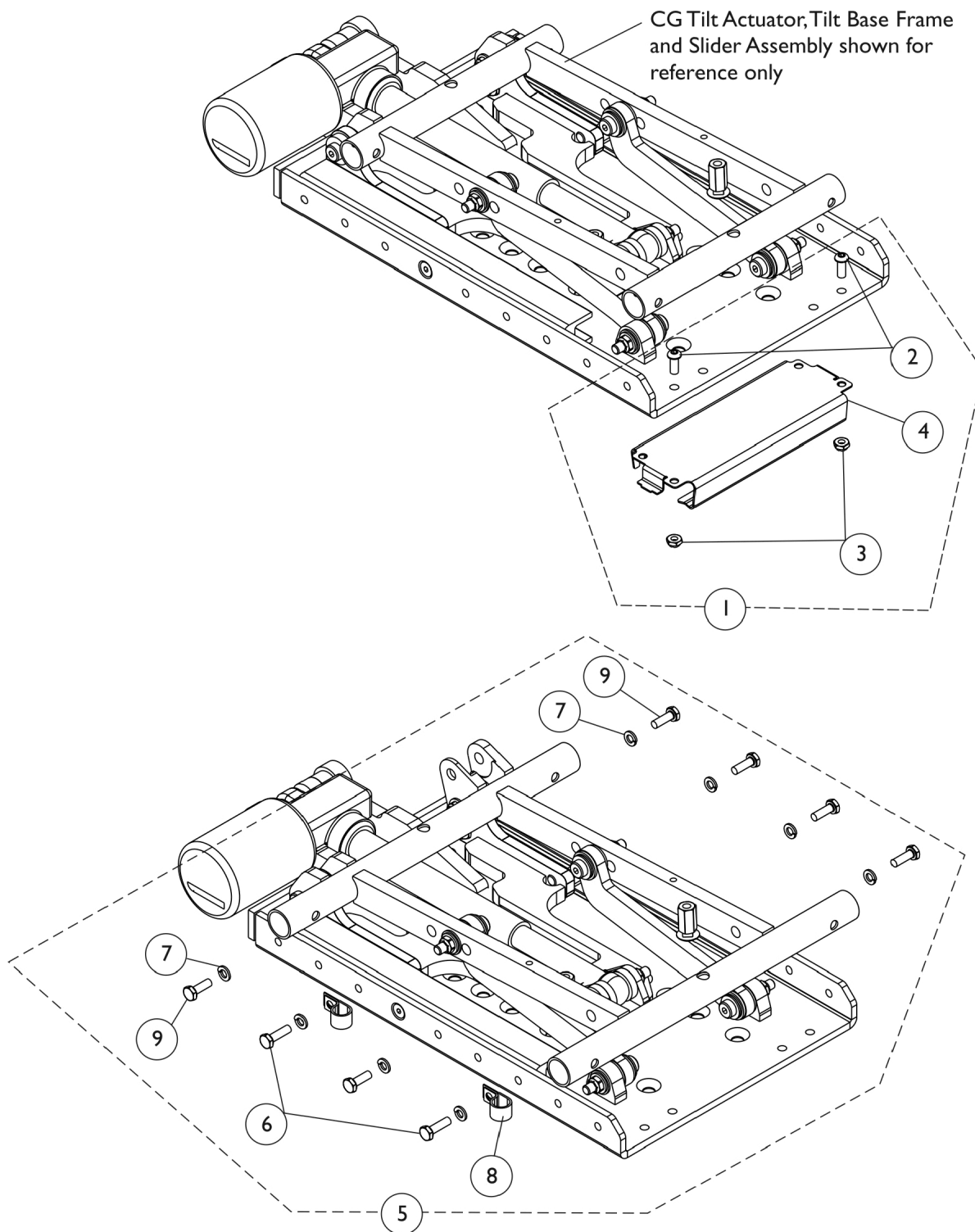


MK6i Connector Bracket and Mounting Hardware

(12-16" W) Formula (CGT) w/ (BPO or PBR, PBT, PPR, PPT)

This hardware is not used for a power wheelchair with a SPJ+, SPJ+ w/ PSS (SPJAP) or SPJ+ w/ ACC (SPJAPM) joystick



MK6i Connector Bracket and Mounting Hardware (12-16" W) Formula (CGT) w/ (BPO or PBR, PBT, PPR, PPT)

This hardware is not used for a power wheelchair with a SPJ+, SPJ+ w/ PSS (SPJAP) or SPJ+ w/ ACC (SPJAPM) joystick

Item Number	Note	Part Number	Description	Quantity Per	
				Package	Assembly
1	A	1157740-NLA	NLA - Kit, MK6i Connector Bracket and Mounting Hardware, Formula CGT	1	1
2			Screw, Socket Button Head (1/4-20 x 5/8")	1	2
3			Locknut (1/4-20)	1	2
4			Bracket, MK6i Connector, Black	1	1
5	B	1160378-NLA	NLA - Kit, MK6i Connector Bracket Cable Routing Hardware	1	1
6			Screw, Hex Head (1/4-20 x 7/8")	1	2
7			Lockwasher, Split (1/4")	1	8
8			NLA - Bracket, Cable/Wire Mounting, Black	1	2
9			NLA - Bolt, Hex Head Cap (1/4-20 x 3/4")	1	6
NOTE: A - Includes items 2-4 B - Includes items 6-9					
NOTE: PBR, PBT, PPR and PPT refer to Personal Back model types					