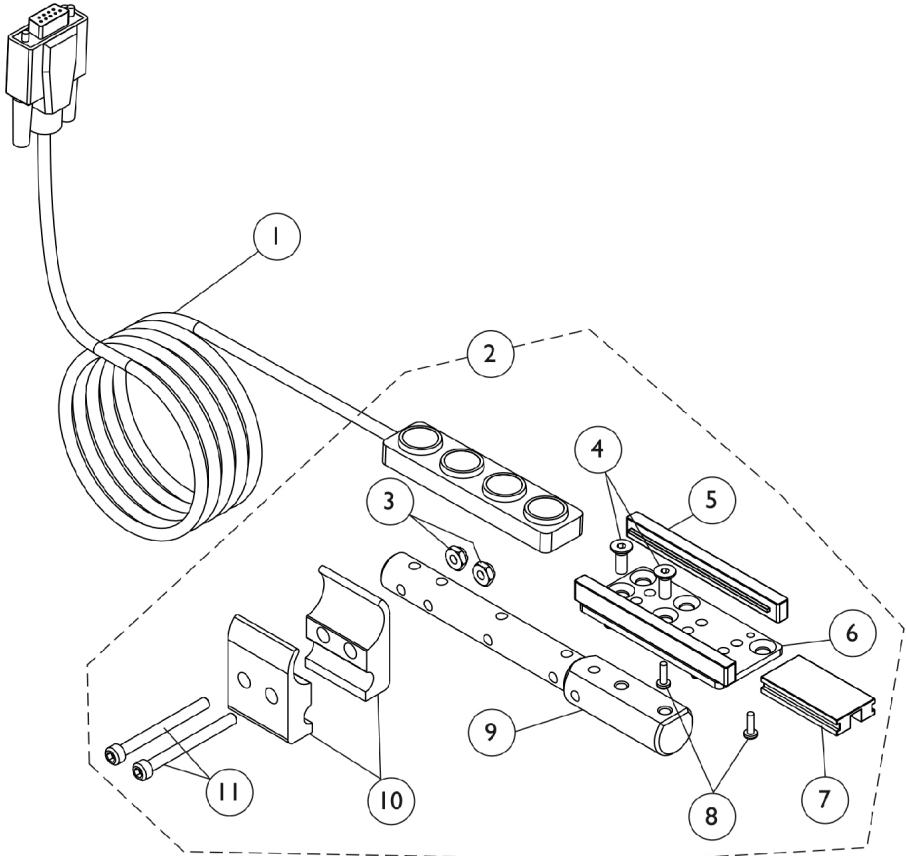


Quad Push Button (QPB) and Mounting Hardware



**Push Button Switch
Armrest Mounting Hardware**

Quad Push Button (QPB) and Mounting Hardware

Item Number	Note	Part Number	Description	Quantity Per	
				Package	Assembly
1	A	1153636	Kit, Switch, Quad Push Button (QPB)	1	1
2	B	1157817	Kit, Push Button Switch Armrest Mounting Hardware (PBMT)	1	1
3			Locknut (#10-32)	1	2
4			Screw, Socket Flat Head (10-32 x 1/2")	1	2
5			Rail, Push Button Slide	1	2
6			Plate, Push Button Mounting	1	1
7			Blank, 2-Position Push Button	1	1
8			NLA - Screw, Phillips Pan Head Tap (4-40 x 3/8")	1	4
9			Bar, Push Button Support	1	1
10			Half Clamp, Non-Threaded Holes	1	2
11			Screw, Socket Head (#10-32 x 2")	1	2
NOTE: A - Includes the Quad Push Button Switch with Hook & Loop Adhesive Back Fastener B - Kit is sold complete and includes items 3-11.					