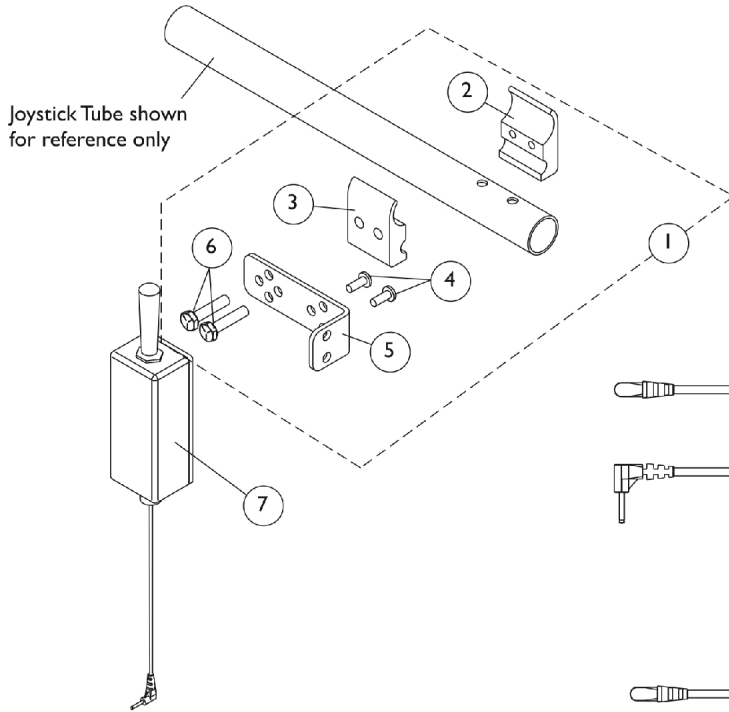
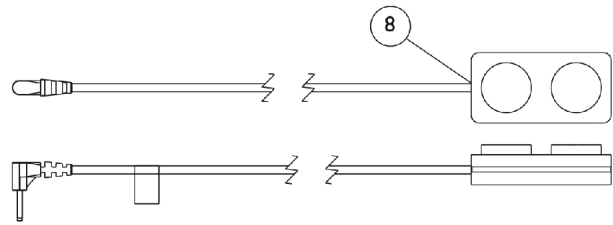


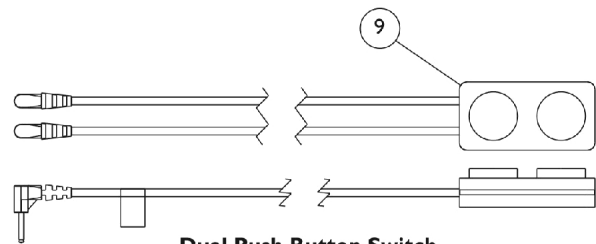
Dual Push Button Switches, Dual Toggle Switch (2SW) & Monoport "Y" Phono Cable (MPY)



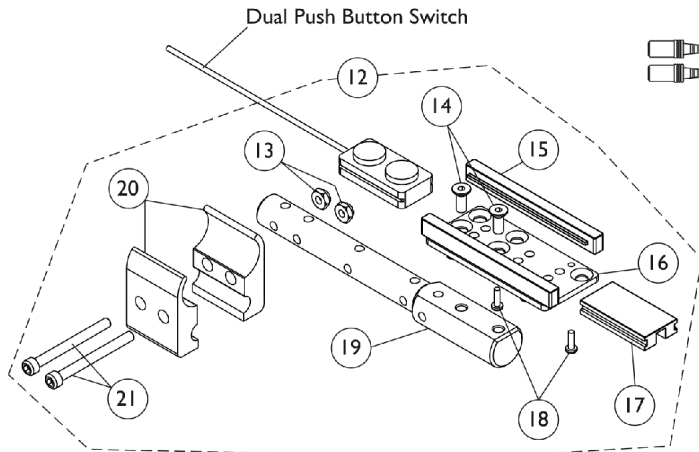
Dual Toggle Switch (2SW)



Dual Push Button Switch (2PB)



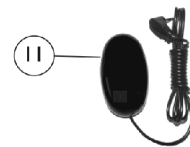
Dual Push Button Switch



**Push Button Switch
Armrest Mounting Hardware**



Monoport "Y" Phono Cable (MPY)



Egg Switch (EGSBLK)

Dual Push Button Switches, Dual Toggle Switch (2SW) & Monoport "Y" Phono Cable (MPY)

Item Number	Note	Part Number	Description	Quantity Per	
				Package	Assembly
1	A	1091496	Kit, Joystick Tube Toggle Switch Mounting Hardware	1	1
2			NLA - Half Clamp, Threaded Holes	1	1
3			Half Clamp, Non-Threaded Holes	1	1
4			Screw, Hex Head w/ Patch (1/4-20 x 1/2")	1	2
5			NLA - Bracket, Toggle Switch Mounting, Black	1	1
6			NLA - Screw, Hex Head (1/4-20 x 1-1/8")	1	2
7	B	1142221	Switch, Dual Function Toggle (2SW)	1	1
8	B,D	1153635	Switch, Push Button Dual	1	1
			Loop, Material	1	1
			Hook, Material	1	1
9	D,E	1157818	Kit, Switch, Dual Push Button (2PB)	1	1
10	C	1140027	Cable, Monoport "Y" Phono (MPY)	1	1
11		1123276	Kit, Switch, Black Egg Reset w/ Hook/Loop Adhesive Back Fastener & Attaching Screws (EGSBLK)	1	1
12	F	1157817	Kit, Push Button Switch Armrest Mounting Hardware (PBMT)	1	1
13			Locknut (#10-32)	1	2
14			Screw, Socket Flat Head (10-32 x 1/2")	1	2
15			Rail, Push Button Slide	1	2
16			Plate, Push Button Mounting	1	1
17			Blank, 2-Position Push Button	1	1
18			NLA - Screw, Phillips Pan Head Tap (4-40 x 3/8")	1	4
19			Bar, Push Button Support	1	1
20			Half Clamp, Non-Threaded Holes	1	2
21			Screw, Socket Head (#10-32 x 2")	1	2

NOTE: A - Includes items 2-6
 B - For use in the mode switch port of the MK6i Display, MPJ+, PSFM6 and PSRM6 Joysticks to provide TWO programmable switch functions, (Mono Port 1 and Mono Port 2 of the calibrations menu). Not compatible with SPJ+ Joysticks.
 C - Monoport "Y" Phono Cable allows adding a second switch (ex. Egg Reset Switch) to the mode switch port of the MK6i Display, MPJ+, PSFM6 and PSRM6 Joysticks. The "Y" Phono Cable can not be used with item #7 or #8 switches
 D - Includes the Dual Push Button Switch with Hook & Loop Adhesive Back Fastener.
 E - For use in the switch ports of the MK6 SPJ+ w/ PSS (SPJAP) or MK6i SPJ+ w/ ACC (SPJAPM) Joystick to provide TWO switch functions.
 F - Kit is sold complete and includes items 13-21. Kit is standard on TDX SPREE with SPJ+ Joystick