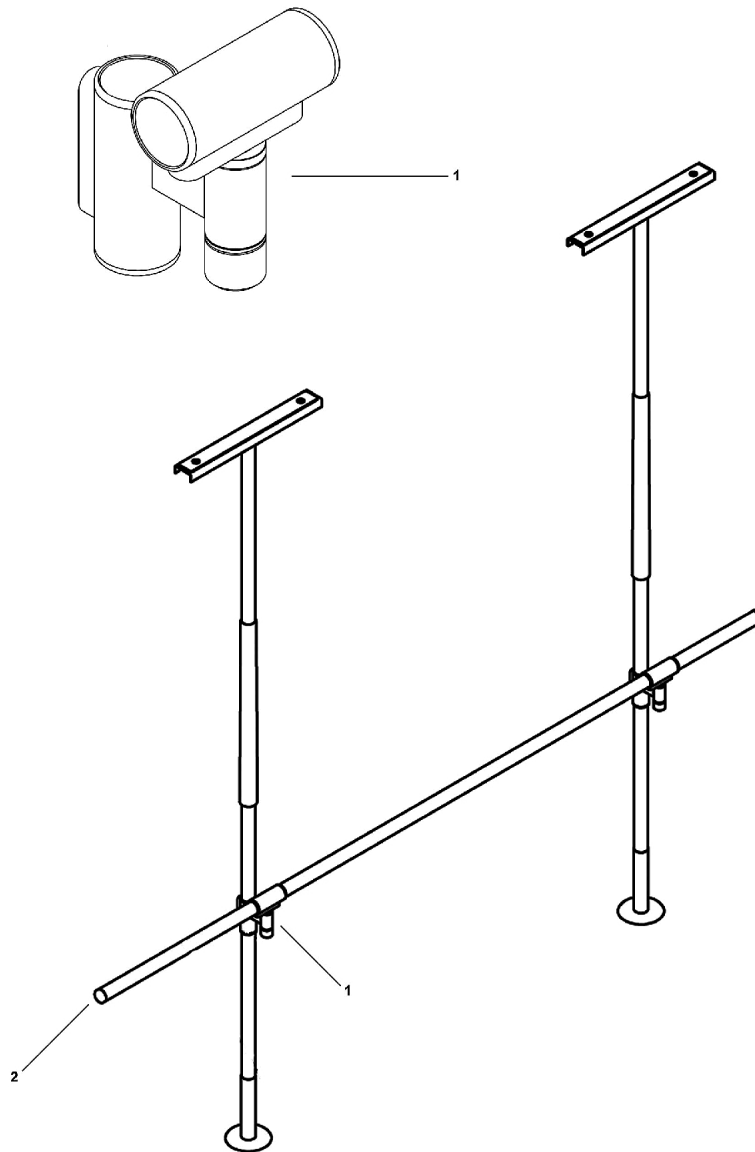


Horizontal and Parallel Bar Systems

PARTS DIAGRAM: HORIZONTAL AND PARALLEL BAR SYSTEMS



Horizontal and Parallel Bar Systems

Item Number	Note	Part Number	Description	Quantity Per	
				Package	Assembly
1		PB204-2	Clamp Assembly	1	1
1		PB204-4	Clamp Assembly	1	1
2	A	PB203	Horizontal Rail, 100"	1	1
2	B	PB203	Horizontal Rail, 100"	1	2
Not Shown		PB202	Parts Pack, Parallel Bar	1	1
NOTE: A - For Horizontal Rail System. B - For Parallel Bar System.					