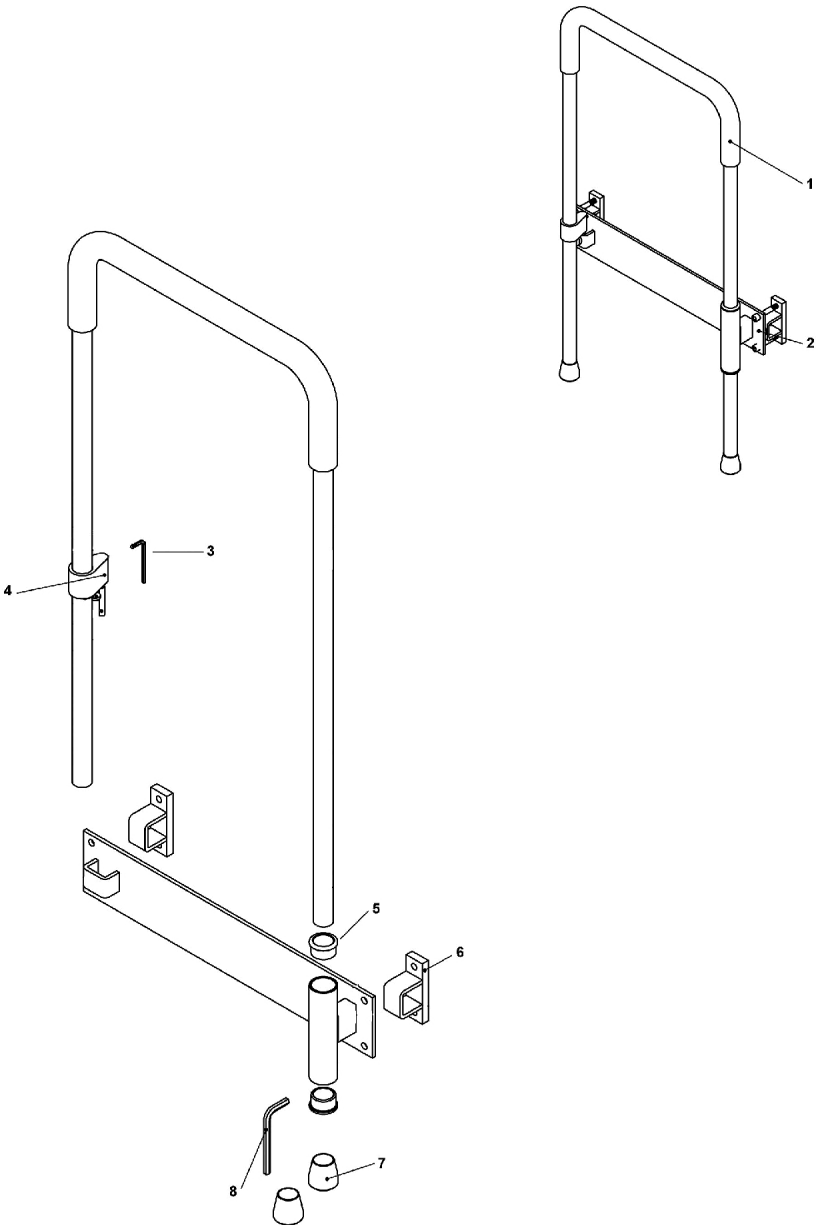


# Smart Rail Hospital

PARTS DIAGRAM: SMART-RAIL HOSPITAL



# Smart Rail Hospital

Item Number	Note	Part Number	Description	Quantity Per	
				Package	Assembly
1		SR402	Rail with Grip	1	1
2		SR404	Frame Face Plate	1	1
3		HW301	Hex Key, Short Arm (1/8")	1	1
4		SR401	Latch Block	1	1
5		SR109	Pivot Bushing	1	2
6		SR201	Frame Clamps	1	2
7		HW312	Cane Tips	1	2
8		HW319	Hex Key, Short Arm (1/4")	1	1
Not Shown		SR501	Parts Pack, Smart Rail Hospital	1	1