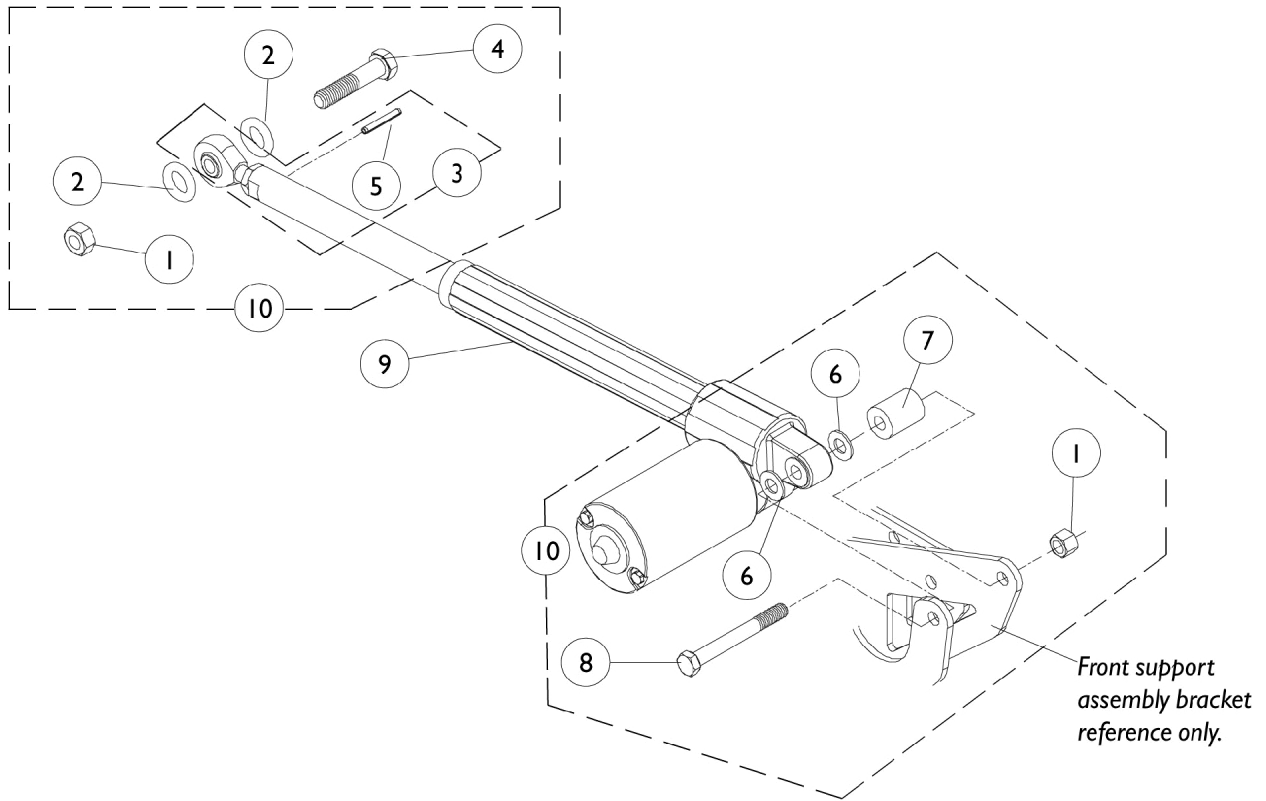


Actuator Motor and Mounting Hardware

NOTE: Elevating seat actuator can be found in parts catalog (Form # 00-191) Storm Series 3rd Gen. Arrow, Ranger X and Torque SP under Electronics/ Elevating Actuator, Switch Sensor and Hardware page.



Actuator Motor and Mounting Hardware

NOTE: Elevating seat actuator can be found in parts catalog (Form # 00-191) Storm Series 3rd Gen. Arrow, Ranger X and Torque SP under Electronics/ Elevating Actuator, Switch Sensor and Hardware page.

Item Number	Note	Part Number	Description	Quantity Per	
				Package	Assembly
1		0054106-NLA	NLA - Locknut, High Profile (3/8-16)	1	1
2		0056000-NLA	NLA - O-Ring (1/2 x 7/8 x 3/16")	1	2
3		0313900-NLA	NLA - Rod, End with Locknut and Roll Pin	1	1
4		0054606-NLA	NLA - Screw, Hex Head (3/8-16 x 2")	1	1
5		1028848-NLA	NLA - Pin, Roll (1/8" x 7/8")	1	1
6		0053900-NLA	NLA - Washer, Nylon (3/8 x 13/16 x 1/16")	1	2
7		1087629-NLA	NLA - Spacer, Actuator (3/8 x 1/2 x 1-1/4")	1	1
8		0140206-NLA	NLA - Screw, Hex Head (3/8-16 x 3-1/2")	1	1
9	A	1154068	NLA - Kit, Actuator Motor, 6-1/2" Stroke	1	1
			Actuator Motor Assembly (6-1/2" Stroke)	1	1
			NLA - Pin, Roll (1/8" x 7/8")	1	1
			Instruction Sheet, PTO Actuator Installation	1	1
10	B	1106543-NLA	NLA - Hardware, Actuator Mounting	1	1

NOTE: A - Includes item 3, Actuator Motor & Instruction Sheet
 B - Includes items 1, 2, 4 and 6-8