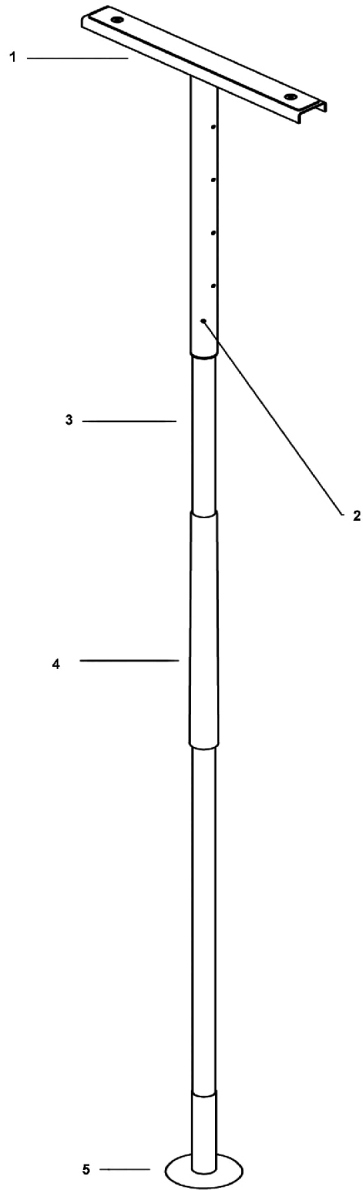
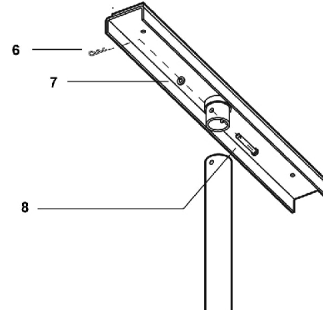


Uni-Fit Extender

PARTS DIAGRAM: UNIFIT EXTENDER



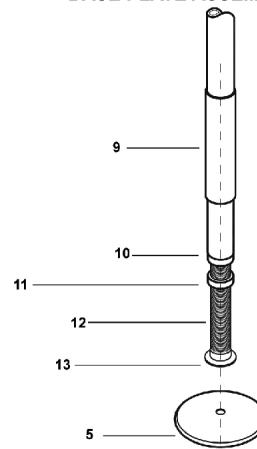
PARTS DIAGRAM: POLE / CEILING ANCHOR PLATE ASSEMBLY



UNIFIT EXTENDER



PARTS DIAGRAM: POLE / EXTENSION SCREW / BASE PLATE ASSEMBLY



Uni-Fit Extender

Item Number	Note	Part Number	Description	Quantity Per	
				Package	Assembly
1		SP403	Ceiling Anchor Plate Assembly	1	1
2		SP-UF	Extension Tube	1	1
3		SP-P	Pole Assembly	1	1
4		GR-101	Grip, 20"	1	1
5		SP402	Base Plate Assembly	1	1
6		HW323	Hitch Pin	1	1
7		HW318	Washer, Nylon	1	5
8		HW302	Clevis Pin	1	1
9		SP401	Cover Sleeve, Plastic	1	1
10		SP105	Threaded Collar	1	1
10		SP105HD	Threaded Collar, Heavy Duty	1	1
11		SP172	Jam Nut	1	1
12		SP107	Extension Screw	1	1
13		SP145	Washer, Plastic	1	1
Not Shown		SP-BX	Parts Box, SuperPole	1	1
Not Shown		SP507	Parts Pack, Uni-Fit Extender	1	1