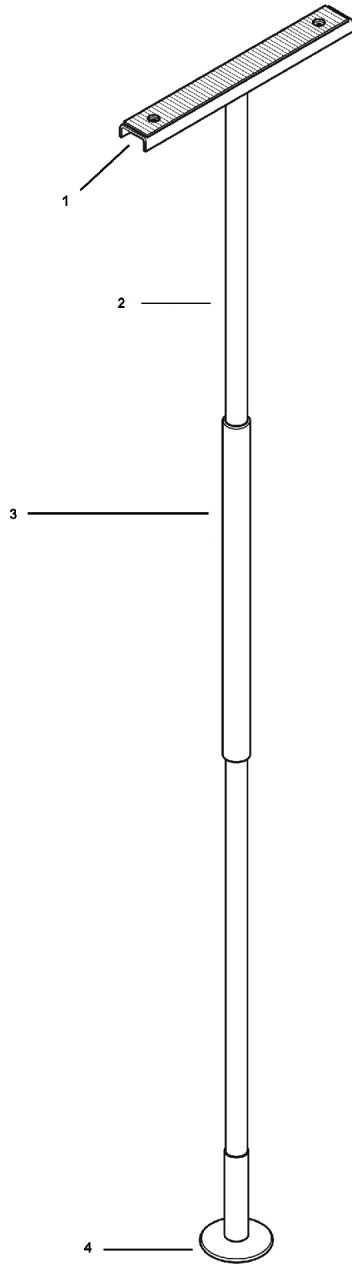
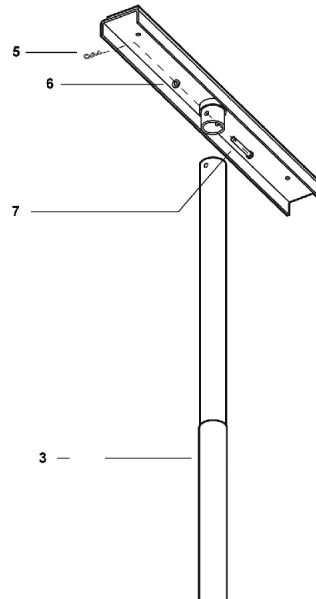


SuperPole G1

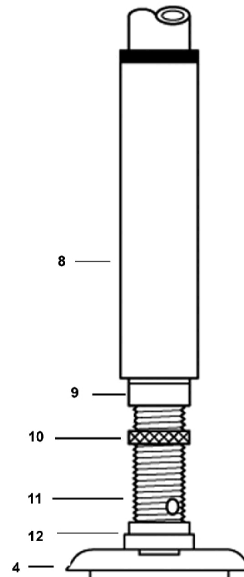
PARTS DIAGRAM: SUPERPOLE G1



PARTS DIAGRAM: POLE / CEILING ANCHOR PLATE ASSEMBLY



PARTS DIAGRAM: POLE / EXTENSION SCREW / BASE PLATE ASSEMBLY



SuperPole G1

Item Number	Note	Part Number	Description	Quantity Per	
				Package	Assembly
1		SP403	Ceiling Anchor Plate Assembly	1	1
2		SP-P	Pole Assembly	1	1
3		GR-101	Grip, 20"	1	1
4		SP402G1	NLA - Base Plate Assembly	1	1
5		HW323	Hitch Pin	1	1
6		HW318	Washer, Nylon	1	1
7		HW302	Clevis Pin	1	1
8		SP401G1	NLA - Assembly, Cover Sleeve w/ Label	1	1
8		SP420G1	NLA - Assembly, Cover Sleeve and Bottom Bushing	--	--
9		SP105	Threaded Collar	1	1
10		SP172	Jam Nut	1	1
11		SP107G1	NLA - Extension Screw, G1	1	1
11		SP410G1	NLA - Assembly, Extension Screw w/ Jam Nut	1	1
12		SP419G1	NLA - Assembly, Bottom Bushing w/ Washer	1	1
Not Shown		SP-BXG1	NLA - Parts Box, SuperPole	1	1
Not Shown		SP500G1	NLA - Parts Pack, SuperPole	1	1
	A	SP421	SuperPole Conversion Kit	1	1

NOTE: A - Converts the Generation 1 SuperPole to a Generation 2 SuperPole. Conversion will now support SuperPole G2 Parts.