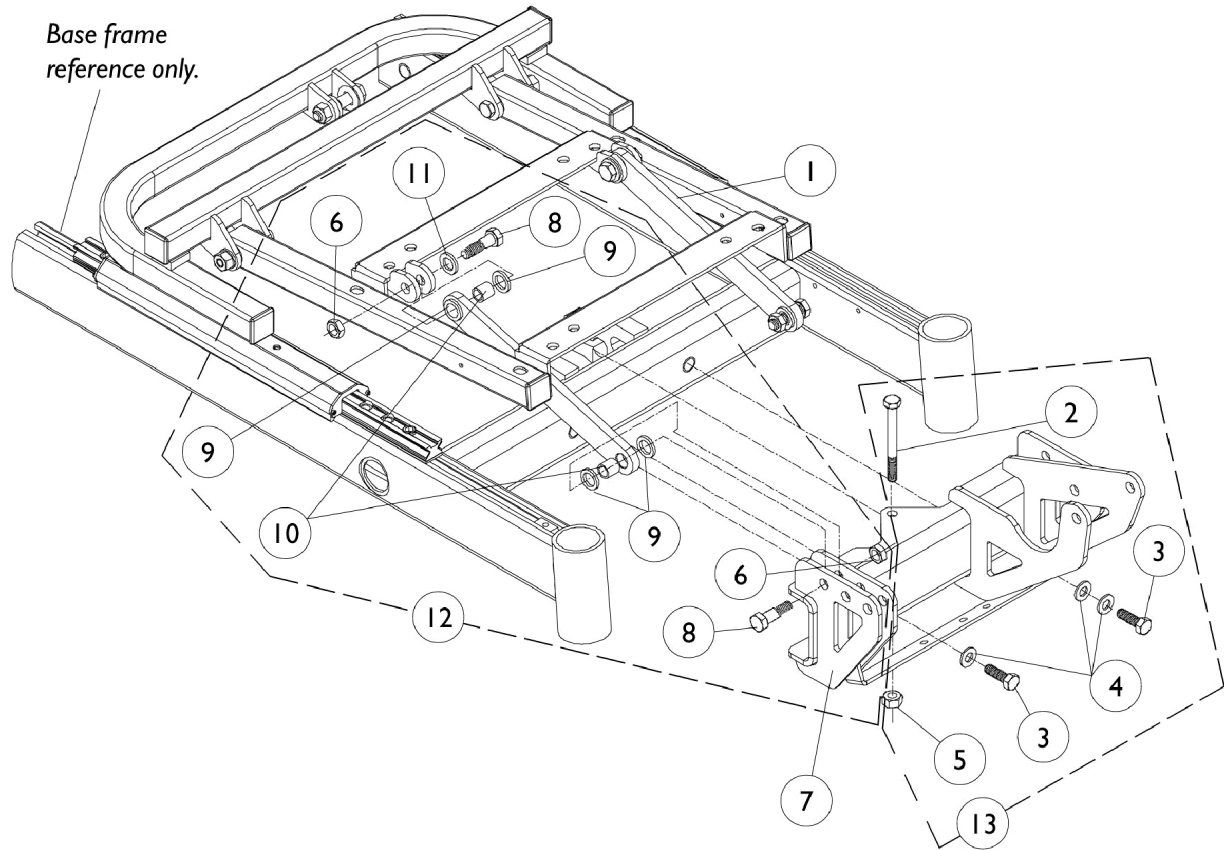


Tilt Link and Front Support Bracket

NOTE: The front actuator support bracket for a power elevating seat is located under the seat plate assembly page.

NOTE: Tilt link mounting hardware is the same for a power tilt only and a power elevating seat.



Tilt Link and Front Support Bracket

NOTE: The front actuator support bracket for a power elevating seat is located under the seat plate assembly page.

NOTE: Tilt link mounting hardware is the same for a power tilt only and a power elevating seat.

Item Number	Note	Part Number	Description	Quantity Per	
				Package	Assembly
1		1087634-NLA	NLA - Link, Tilt, Black	1	2
2		0139806-NLA	NLA - Screw, Hex Head (5/16-18 x 3")	1	1
3		1104258	Screw, Hex Head w/ Patch (5/16-18 x 1")	1	2
4	C	1023263-NLA	NLA - Washer, Internal Tooth (M8)	1	3
5		1026158	Locknut (5/16-18)	1	1
6		1028769	Locknut (5/16-18)	1	4
7		1087613-NLA	NLA - Bracket, Actuator Support, Front, Black (12 - 16" D)	1	1
7		1087622-NLA	NLA - Bracket, Actuator Support, Front, Black (17 - 19" D)	1	1
7		1087624-NLA	NLA - Bracket, Actuator Support, Front, Black (20 - 22" D)	1	1
8		1107708-NLA	NLA - Screw, Shoulder Hex Socket Head (3/8 x 3/4", 5/16-18)	1	4
9		0139900	Washer, Nylon (1/2 x 3/4 x 3/32")	1	8
10		1087636-NLA	NLA - Bushing, Bronze (3/8 x 1/2 x 1/2")	1	4
11		20105X000-NLA	NLA - Washer, Flat (1/4 x 5/8 x 1/16")	1	2
12	A	1106541-NLA	NLA - Hardware, Tilt Link Mounting	1	1
13	B	1106542-NLA	NLA - Hardware, Front Actuator Support Bracket Mounting	1	1

NOTE: A - Includes items 6 and 8-11
 B - Includes items 2-5
 C - Part #1023263 is no longer available as a service part individually. See item 13 and order part #1106542 as a replacement.