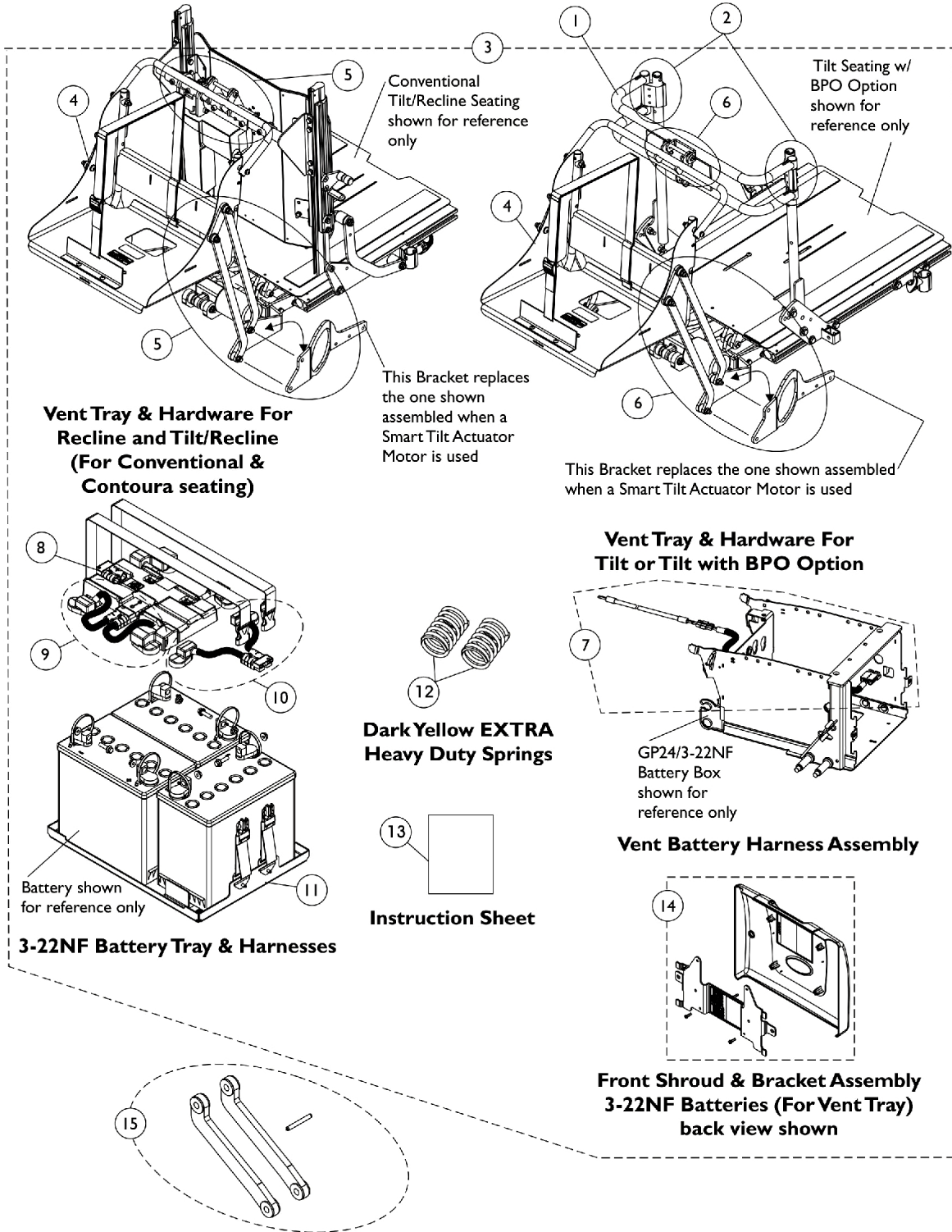


Vent Tray Kits

TDX SP/SP-GT/SR

NOTE: Please read all footnotes before ordering a Vent Tray Kit, additional components may be required. TDX SR models always use SMART Actuators. Vent Tray is excluded from TDX SP/SR model wheelchairs with TRRO option



Vent Tray Kits

TDX SP/SP-GT/SR

NOTE: Please read all footnotes before ordering a Vent Tray Kit, additional components may be required. TDX SR models always use SMART Actuators. Vent Tray is excluded from TDX SP/SR model wheelchairs with TRRO option

Item Number	Note	Part Number	Description	Quantity Per	
				Package	Assembly
1-2		See Chart	Double Spreader Bar Assembly (Conventional & ABS Curved Back Tilt Only 16", 17", 18", 19", 20" Wide)	1	1
1-2		See Chart	Double Spreader Bar Assembly (Conventional & ABS Curved Back Tilt Only 21", 22", 23", 24" Wide)	1	1
3-14		See Chart	Vent Tray Kit For (CGT) or (CGT) w/ BPO Option (For Conventional Actuators)	1	1
3-14		See Chart	Vent Tray Kit For (CGT) or (CGT) w/ BPO Option (For Smart Actuators)	1	1
3-14		See Chart	Vent Tray Kit For (CGR) and (CGTR) Seating Systems (For Conventional Actuators)	1	1
3-14		See Chart	Vent Tray Kit For (CGR) and (CGTR) Seating Systems (For Smart Actuators)	1	1
15	A	1151309	Kit, Vent Link Replacement 45 Degree w/ Slotted Spring Tension Pin - Formula CG	1	1

NOTE: A - The kit includes 2 ea. 45 Degree Tilt Links, 1 ea. Slotted Spring Tension Pin 1/8" x 1-1/8".

Double Spreader Bar Assembly & Mounting Hardware

(Conventional & ABS Curved Back Tilt Only 16", 17", 18", 19", 20" Wide)

Item #	Description	16" Wide	17" Wide	18" Wide	19" Wide	20" Wide	Qty. Per Asbly.
1.	Double Spreader Bar Assembly	0013602	0013702	0013802	0013902	0014002	1
2.	Double Spreader Bar Mounting Hardware	1125761	1125761	1125761	1125761	1125761	1

NOTE: A Double Spreader Bar is Standard ON-CHAIR for Tilt Only Systems that order the Back Post Only (BPO) option

Double Spreader Bar Assembly & Mounting Hardware

(Conventional & ABS Curved Back Tilt Only 21", 22", 23", 24" Wide)

Item #	Description	21" Wide	22" Wide	23" Wide	24" Wide	Qty. Per Asbly.
1.	Double Spreader Bar Assembly	0014102	0014202	0284202-NLA	0284302-NLA	1
2.	Double Spreader Bar Mounting Hardware	1125761	1125761	1125761	1125761	1

NOTE: A Double Spreader Bar is Standard ON-CHAIR for Tilt Only Systems that order the Back Post Only (BPO) option

Vent Tray Kits

TDX SP/SP-GT/SR

NOTE: Please read all footnotes before ordering a Vent Tray Kit, additional components may be required. TDX SR models always use SMART Actuators. Vent Tray is excluded from TDX SP/SR model wheelchairs with TRRO option

Vent Tray Kit For (CGT) or (CGT) w/ BPO Option (For Conventional Actuators)

Item #	Description	Part Number	Qty. Per Asbly.
3.	Vent Tray Kit & Installation Instruction Sheet See Note(s) A, A1, C1, C, D, B	1151312-NLA	1
4.	Kit, Vent Tray Assembly w/o Mounting Hardware	1146329-NLA	1
6.	Kit, Vent Tray Mounting Hardware	1148659-NLA	1
7.	Kit, Vent Battery Harness Assembly w/ Hardware	1147948	1
8.	Battery Wire Harness w/ Terminal Hardware, 3-22NF - Rear	1147135	1
9.	Battery Wire Harness w/ Terminal Hardware, 3-22NF - Front	1120362	1
10.	Battery Wire Harness w/ Terminal Hardware, 22NF - Vent	1121143	1
11.	Kit, Battery Tray Assembly, TDX SP 3-22NF For Vent	1157803	1
12.	Dark Yellow EXTRA Heavy Duty Springs See Note(s) E	1125645-NLA	2
13.	Instruction Sheet	1145758-NLA	1
14.	Front Shroud & Bracket Assembly (For 3-22NF Batteries w/ Vent Tray)	1147123-NLA	1

NOTE: A - When ordering a Vent Tray Kit for Conventional and ABS Curved Back systems in the field, items 1 and 2 (Double Spreader Bar and Mounting Hardware) are required as well.
A1 - A Double Spreader Bar is already attached to a Tilt Only System originally ordered with a Back Post Only (BPO) Option. Minimum Back Cane Height must be 20". Vent Kit excluded for Contoura Backs.
B - Vent Tray Kit is only available on a (GP24/3-22NF WIDE Battery Box Assembly) and NON-ELEVATE powered seating.
C - A Vent Tray Assembly always requires the 45 Degree Links. 400 lb. weight limit capacity chairs come with 45 degree links & 300 lb. weight limit capacity chairs come with 55 degree links.
C1 - For chairs with 55 degree links, order item 15 "Kit, Vent Link Replacement 45 Degrees & Slotted Spring Tension Pin For Formula CG".
D - Vent Tray Kit includes items 4 and 6-14
E - Spring color changed from Sunny Yellow to Dark Yellow 3/22/10. It is recommended to order springs in pairs to match color and maintain equal spring tension on both sides of the wheelchair

Vent Tray Kits

TDX SP/SP-GT/SR

NOTE: Please read all footnotes before ordering a Vent Tray Kit, additional components may be required. TDX SR models always use SMART Actuators. Vent Tray is excluded from TDX SP/SR model wheelchairs with TRRO option

Vent Tray Kit For (CGT) or (CGT) w/ BPO Option (For Smart Actuators)

Item #	Description	Part Number	Qty. Per Asbly.
3.	Vent Tray Kit (Smart) & Installation Instruction Sheet See Note(s) A1, D, C1, C, B, A	1154063-NLA	1
4.	Kit, Vent Tray Assembly w/o Mounting Hardware	1146329-NLA	1
6.	Kit, Vent Tray Mounting Hardware (Smart)	1142192	1
7.	Kit, Vent Battery Harness Assembly w/ Hardware	1147948	1
8.	Battery Wire Harness w/ Terminal Hardware, 3-22NF - Rear	1147135	1
9.	Battery Wire Harness w/ Terminal Hardware, 3-22NF - Front	1120362	1
10.	Battery Wire Harness w/ Terminal Hardware, 22NF - Vent	1121143	1
11.	Kit, Battery Tray Assembly, TDX SP 3-22NF For Vent	1157803	1
12.	Dark Yellow EXTRA Heavy Duty Springs See Note(s) E	1125645-NLA	2
13.	Instruction Sheet	1145758-NLA	1
14.	Front Shroud & Bracket Assembly (For 3-22NF Batteries w/ Vent Tray)	1147123-NLA	1

NOTE: A - When ordering a Vent Tray Kit for Conventional and ABS Curved Back systems in the field, items 1 and 2 (Double Spreader Bar and Mounting Hardware) are required as well.
A1 - A Double Spreader Bar is already attached to a Tilt Only System originally ordered with a Back Post Only (BPO) Option. Minimum Back Cane Height must be 20". Vent Kit excluded for Contoura Backs.
B - Vent Tray Kit is only available on a (GP24/3-22NF WIDE Battery Box Assembly) and NON-ELEVATE powered seating.
C - A Vent Tray Assembly always requires the 45 Degree Links. 400 lb. weight limit capacity chairs come with 45 degree links & 300 lb. weight limit capacity chairs come with 55 degree links.
C1 - For chairs with 55 degree links, order item 15 "Kit, Vent Link Replacement 45 Degrees & Slotted Spring Tension Pin For Formula CG".
D - Vent Tray Kit includes items 4 and 6-14
E - Spring color changed from Sunny Yellow to Dark Yellow 3/22/10. It is recommended to order springs in pairs to match color and maintain equal spring tension on both sides of the wheelchair

Vent Tray Kits

TDX SP/SP-GT/SR

NOTE: Please read all footnotes before ordering a Vent Tray Kit, additional components may be required. TDX SR models always use SMART Actuators. Vent Tray is excluded from TDX SP/SR model wheelchairs with TRRO option

Vent Tray Kit For (CGR) and (CGTR) Seating Systems (For Conventional Actuators)

Item #	Description	Part Number	Qty. Per Asbly.
3.	Vent Tray Kit & Installation Instruction Sheet <small>See Note(s) A, B, C, B1</small>	1151313-NLA	1
4.	Kit, Vent Tray Assembly w/o Mounting Hardware	1146329-NLA	1
5.	Kit, Vent Tray Mounting Hardware	1148660	1
7.	Kit, Vent Battery Harness Assembly w/ Hardware	1147948	1
8.	Battery Wire Harness w/ Terminal Hardware, 3-22NF - Rear	1147135	1
9.	Battery Wire Harness w/ Terminal Hardware, 3-22NF - Front	1120362	1
10.	Battery Wire Harness w/ Terminal Hardware, 22NF - Vent	1121143	1
11.	Kit, Battery Tray Assembly, TDX SP 3-22NF For Vent	1157803	1
12.	Dark Yellow EXTRA Heavy Duty Springs <small>See Note(s) D</small>	1125645-NLA	2
13.	Instruction Sheet	1145758-NLA	1
14.	Front Shroud & Bracket Assembly (For 3-22NF Batteries w/ Vent Tray)	1147123-NLA	1

NOTE: A - Vent Tray is only available on a (GP24/3-22NF WIDE Battery Box Assembly) and NON-ELEVATE powered seating.
 B - A Vent Tray Assembly always requires the 45 Degree Links. 400 lb. weight limit capacity chairs come with 45 degree links & 300 lb. weight limit capacity chairs come with 55 degree links.
 B1 - For chairs with 55 degree links, order item 15 "Kit, Vent Link Replacement 45 Degrees & Slotted Spring Tension Pin For Formula CG".
 C - Vent Tray Kit includes items 4, 5 and 7-14
 D - Spring color changed from Sunny Yellow to Dark Yellow 3/22/10. It is recommended to order springs in pairs to match color and maintain equal spring tension on both sides of the wheelchair

Vent Tray Kits

TDX SP/SP-GT/SR

NOTE: Please read all footnotes before ordering a Vent Tray Kit, additional components may be required. TDX SR models always use SMART Actuators. Vent Tray is excluded from TDX SP/SR model wheelchairs with TRRO option

Vent Tray Kit For (CGR) and (CGTR) Seating Systems (For Smart Actuators)

Item #	Description	Part Number	Qty. Per Asbly.
3.	Vent Tray Kit (Smart) & Installation Instruction Sheet See Note(s) B1, C, A, B	1154064-NLA	1
4.	Kit, Vent Tray Assembly w/o Mounting Hardware	1146329	1
5.	Kit, Vent Tray Mounting Hardware (Smart)	1153641	1
7.	Kit, Vent Battery Harness Assembly w/ Hardware	1147948	1
8.	Battery Wire Harness w/ Terminal Hardware, 3-22NF - Rear	1147135	1
9.	Battery Wire Harness w/ Terminal Hardware, 3-22NF - Front	1120362	1
10.	Battery Wire Harness w/ Terminal Hardware, 22NF - Vent	1121143	1
11.	Kit, Battery Tray Assembly, TDX SP 3-22NF For Vent	1157803	1
12.	Dark Yellow EXTRA Heavy Duty Springs	1125645-NLA See Note(s) D	2
13.	Instruction Sheet	1145758-NLA	1
14.	Front Shroud & Bracket Assembly (For 3-22NF Batteries w/ Vent Tray)	1147123-NLA	1

NOTE: A - Vent Tray is only available on a (GP24/3-22NF WIDE Battery Box Assembly) and NON-ELEVATE powered seating.
 B - A Vent Tray Assembly always requires the 45 Degree Links. 400 lb. weight limit capacity chairs come with 45 degree links & 300 lb. weight limit capacity chairs come with 55 degree links.
 B1 - For chairs with 55 degree links, order item 15 "Kit, Vent Link Replacement 45 Degrees & Slotted Spring Tension Pin For Formula CG".
 C - Vent Tray Kit includes items 4, 5 and 7-14
 D - Spring color changed from Sunny Yellow to Dark Yellow 3/22/10. It is recommended to order springs in pairs to match color and maintain equal spring tension on both sides of the wheelchair