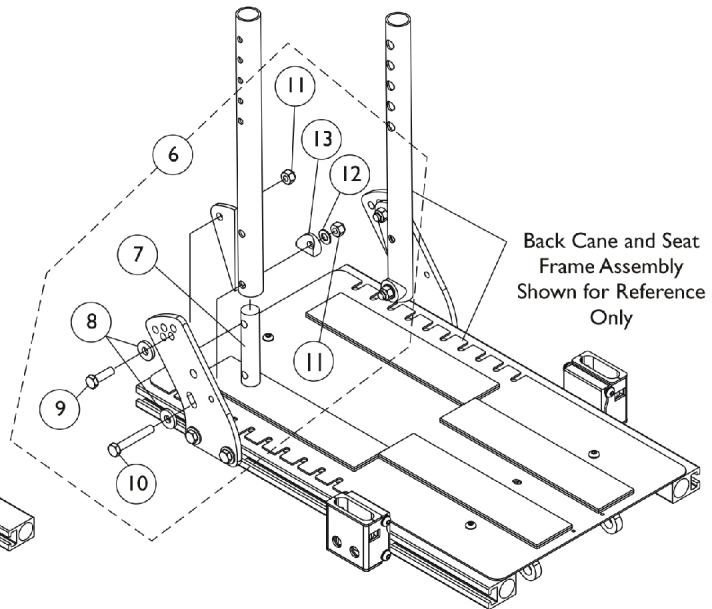
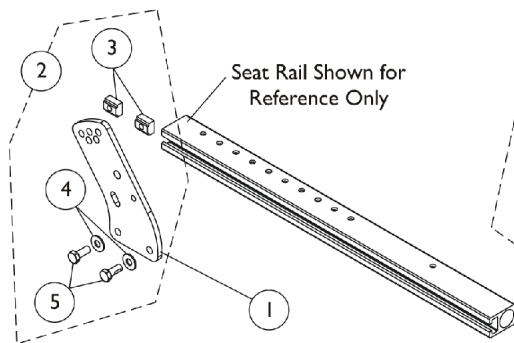


Back Cane Attaching Hardware

ADJASBA Seats without TRRO Option (12-16" Wide)

**Back Cane Bracket Mounting Hardware
without TRRO Option**



**Back Cane Mounting Hardware
without TRRO Option**

Back Cane Attaching Hardware

ADJASBA Seats without TRRO Option (12-16" Wide)

Item Number	Note	Part Number	Description	Quantity Per	
				Package	Assembly
1		1146452-NLA	NLA - Bracket, Back Cane Mounting, Black	1	1
2	A	1154110	Kit, Back Cane Bracket Mounting Hardware	1	1
3			T-Nut (5/16-18)	1	2
4			Washer, Steel (5/16 x 3/4 x 1/16")	1	2
5			Screw, Hex Head w/ Patch (5/16-18 x 3/4")	1	2
6			B	1147973	Kit, Back Cane Mounting Hardware (Pair)
7	NLA - Insert, Back Cane	1			2
8	Washer, Flat (21/64 x 53/64 x 7/64")	1			4
9	Screw, Hex Head (5/16-18 x 1")	1			2
10	NLA - Screw, Hex Head (5/16-18 x 2")	1			2
11	Locknut (5/16-18)	1			4
12	Washer, Flat (5/16 x 5/8 x 1/16")	1			2
13	Spacer, Coved (3/4 x 1 x 1/2")	1			2
NOTE: A - Includes items 3-5. B - Includes items 7-13.					