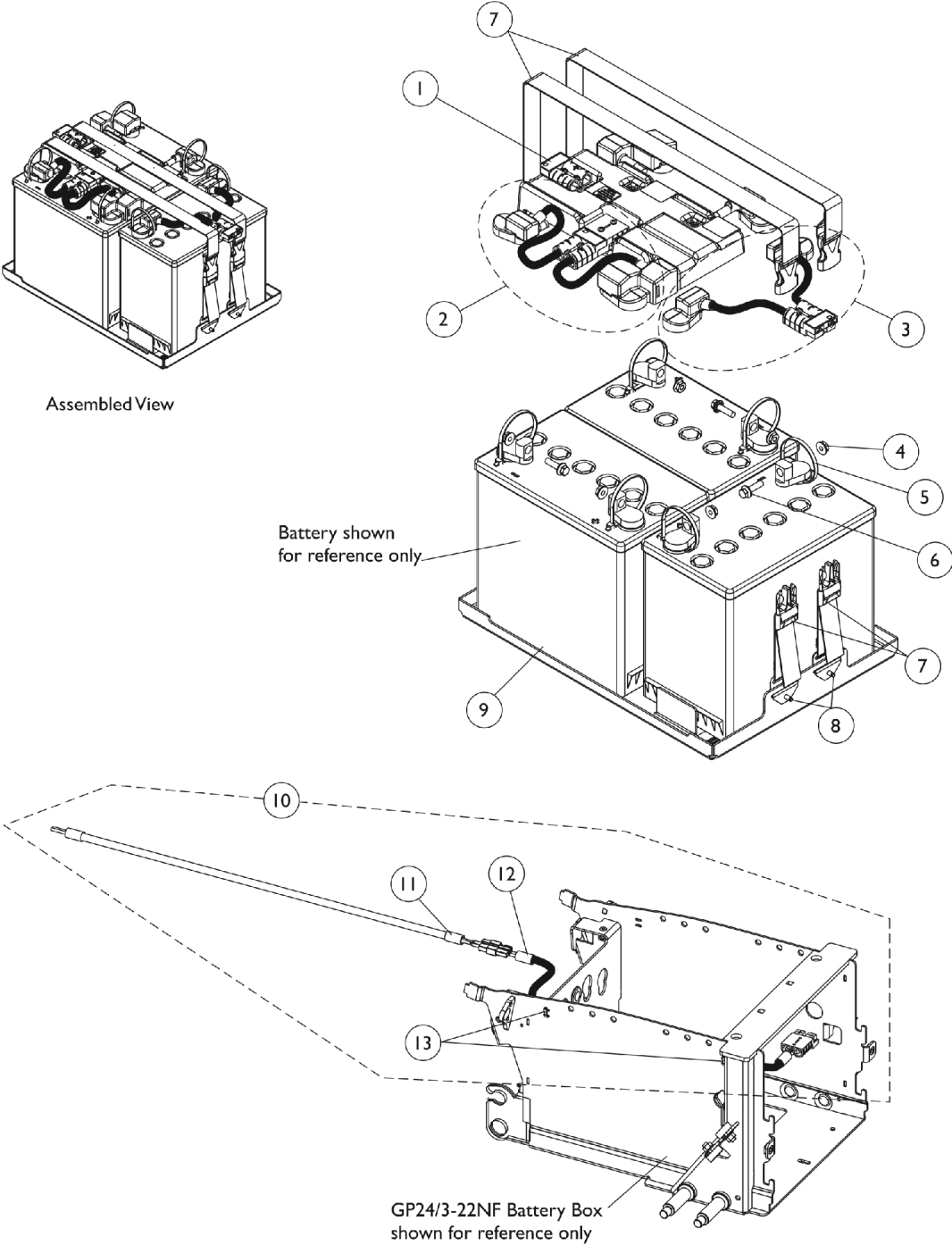


# Battery Tray Assembly and Wire Harnesses - For Vent Tray w/ 3-22NF Batteries

The GP24/3-22NF Battery Box (WIDE) is the only Battery Box that can be used for Vent Tray applications. The 22NF Battery Box (NARROW) cannot be used.



# Battery Tray Assembly and Wire Harnesses - For Vent Tray w/ 3-22NF Batteries

The GP24/3-22NF Battery Box (WIDE) is the only Battery Box that can be used for Vent Tray applications.  
The 22NF Battery Box (NARROW) cannot be used.

Item Number	Note	Part Number	Description	Quantity Per	
				Package	Assembly
1	A,B	1147135	Harness, Battery Wire with Terminal Hardware, 3-22NF, Rear	1	1
2	A,B	1120362	Battery Wire Harness with Terminal Hardware, 22NF - Front	1	1
3	A,B	1121143	Harness, Battery Wire with Terminal Hardware, 22NF Vent	1	1
4		16721X000	Locknut (1/4-20)	1	6
5		1095502-NLA	NLA - Package, Tie Wrap (11-1/2" L)	10	1
6		1096799-NLA	NLA - Screw, Hex Flange Whiz Lock (1/4-20 x 7/8")	1	3
7		1147126	Battery Strap Assembly, GP24/3-22NF	1	2
8		16348X000-NLA	NLA - Rivet (3/16 x 7/16")	1	4
9	C	1157803	Kit, Battery Tray Assembly, TDX SP 3-22NF For Vent	1	1
10	D	1147948	Kit, Vent Battery Harness Assembly	1	1
11			Harness, Vent Battery	1	1
12			Harness, Battery Extension Vent	1	1
13			Tie Wrap (5-5/8" L)	1	2
	E	1144611	Strip, Self Adhesive Wear (2-1/2' L x 1/2" W)	1	1

NOTE: A - Individual components are not available for the battery wire harnesses  
B - Includes items 4-6  
C - Includes items 7 and 8 also. The GP24/3-22NF Battery Box (WIDE) is the only Battery Box that can be used for Vent Tray applications. The 22NF Battery Box (NARROW) cannot be used.  
D - Includes items 11-13  
E - Not Shown. The Self Adhesive Wear Strip is attached to the bottom side of the Battery Tray on both sides to allow removal from the Battery Box easier. One strip will accommodate both sides. Cut strip to desired length.