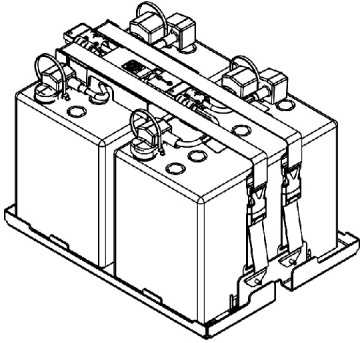
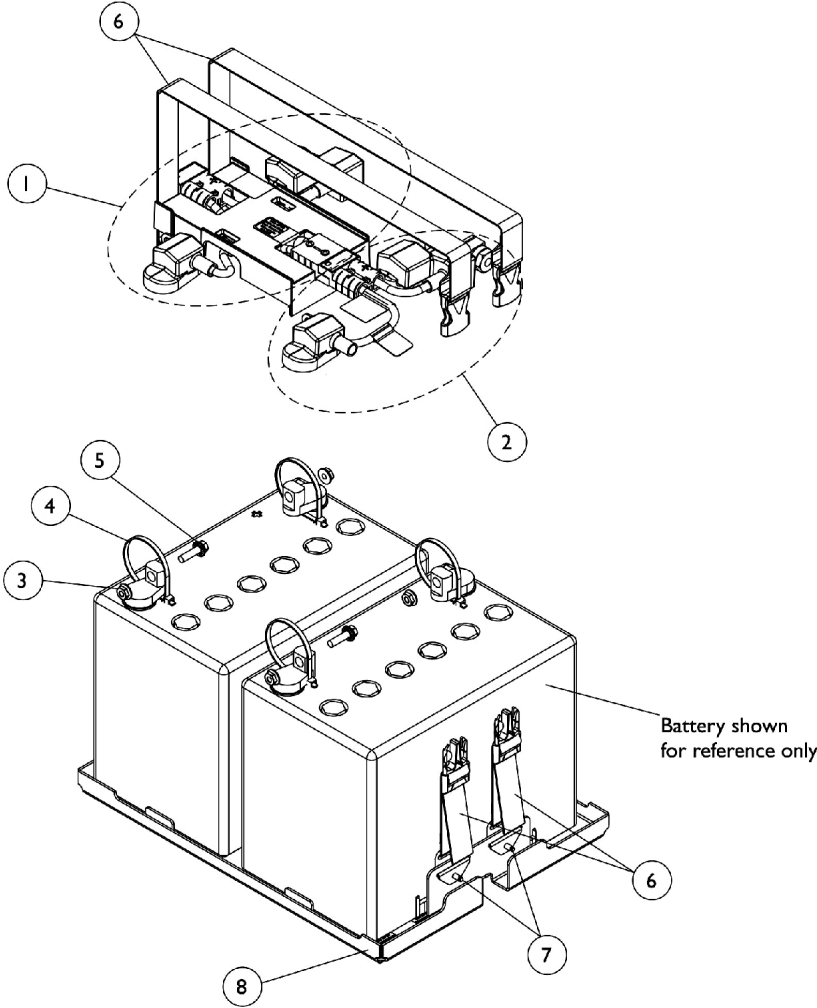


Battery Tray Assembly and Wire Harnesses GP24 Batteries



Assembled View



Battery shown
for reference only

Battery Tray Assembly and Wire Harnesses GP24 Batteries

Item Number	Note	Part Number	Description	Quantity Per	
				Package	Assembly
1	A,B	1120366	Harness, Battery Wire with Terminal Hardware, GP24, Rear	1	1
2	A,B	1120365	Harness, Battery Wire with Terminal Hardware, GP24, Front	1	1
3		16721X000	Locknut (1/4-20)	1	4
4		1095502-NLA	NLA - Package, Tie Wrap (11-1/2" L)	10	1
5		1096799-NLA	NLA - Screw, Hex Flange Whiz Lock (1/4-20 x 7/8")	1	2
6		1147126	Battery Strap Assembly, GP24/3-22NF	1	2
7		16348X000-NLA	NLA - Rivet (3/16 x 7/16")	1	4
8	C	1157802	Kit, Battery Tray Assembly, GP24	1	1
	D	1144611	Strip, Self Adhesive Wear (2-1/2' L x 1/2" W)	1	1

NOTE: A - Individual components are not available for the battery wire harnesses
 B - Includes items 3-5
 C - Includes items 6 and 7 also
 D - Not Shown. The Self Adhesive Wear Strip is attached to the bottom side of the Battery Tray on both sides to allow removal from the Battery Box easier. One strip will accommodate both sides. Cut strip to desired length.