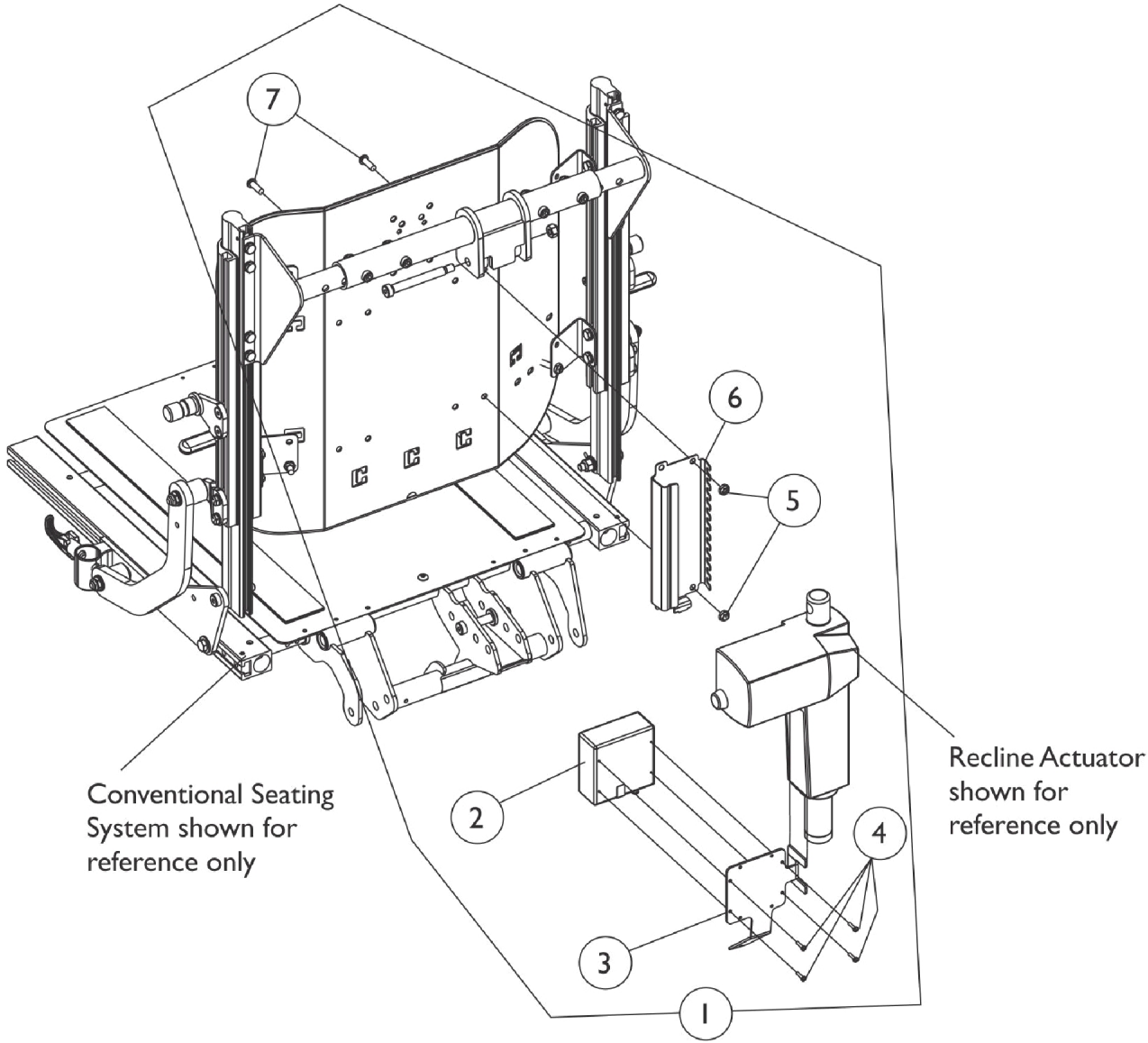


# Recline Integrated Actuator Module (RIAM) For Formula Recline and Tilt/Recline - TDX 3, 3 SE, 4 & 5



## MK6i Recline Integrated Actuator Module (RIAM) and Mounting Hardware.

**NOTE:** Mounting Hardware used for Conventional and Contoura Seating

## Recline Integrated Actuator Module (RIAM) For Formula Recline and Tilt/Recline - TDX 3, 3 SE, 4 & 5

Item Number	Note	Part Number	Description	Quantity Per	
				Package	Assembly
1	A	1145415-NLA	NLA - Kit, MK6i Recline Integrated Actuator Module (RIAM) w/ Mtg. Hardware	1	1
2			Module, Recline Integrated Actuator (RIAM) - MK6i (36" L)	1	1
3			NLA - Bracket, MK6i Recline Integrated Actuator Module, Black (RIAM)	1	1
4			Screw, Phillips Pan Head (#4-40 x 1/2")	1	4
5			Locknut (1/4-20)	1	2
6			Bracket, MK6i Connector, Black	1	1
7			Screw, Socket Button (1/4-20 x 3/4")	1	2
2		1140034	Module, Recline Integrated Actuator (RIAM) - MK6i (36" L)	1	1
3		1145403-NLA	NLA - Bracket, MK6i Recline Integrated Actuator Module, Black (RIAM)	1	1
4		1021742	Screw, Phillips Pan Head (#4-40 x 1/2")	1	1
5		1025195	Locknut (1/4-20)	1	2
6		1160374	Bracket, MK6i Connector, Black	1	1
7		1009838	Screw, Socket Button (1/4-20 x 3/4")	1	2

NOTE: A - Includes items 2-7. Kit is used for Conventional and Contoura Seating