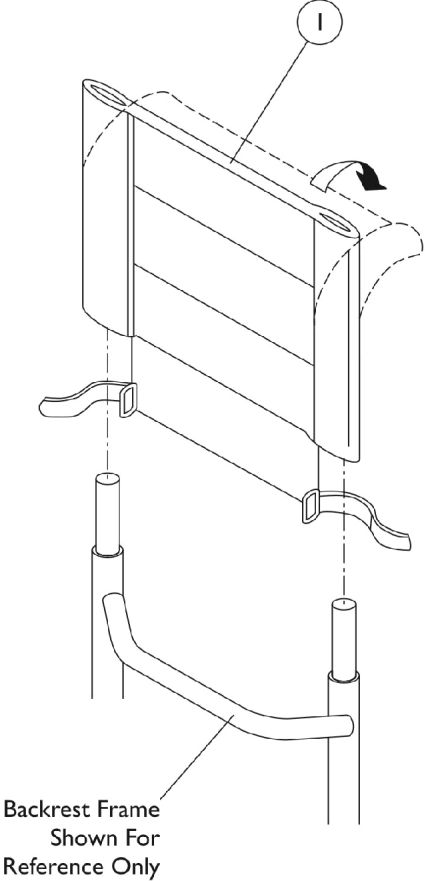


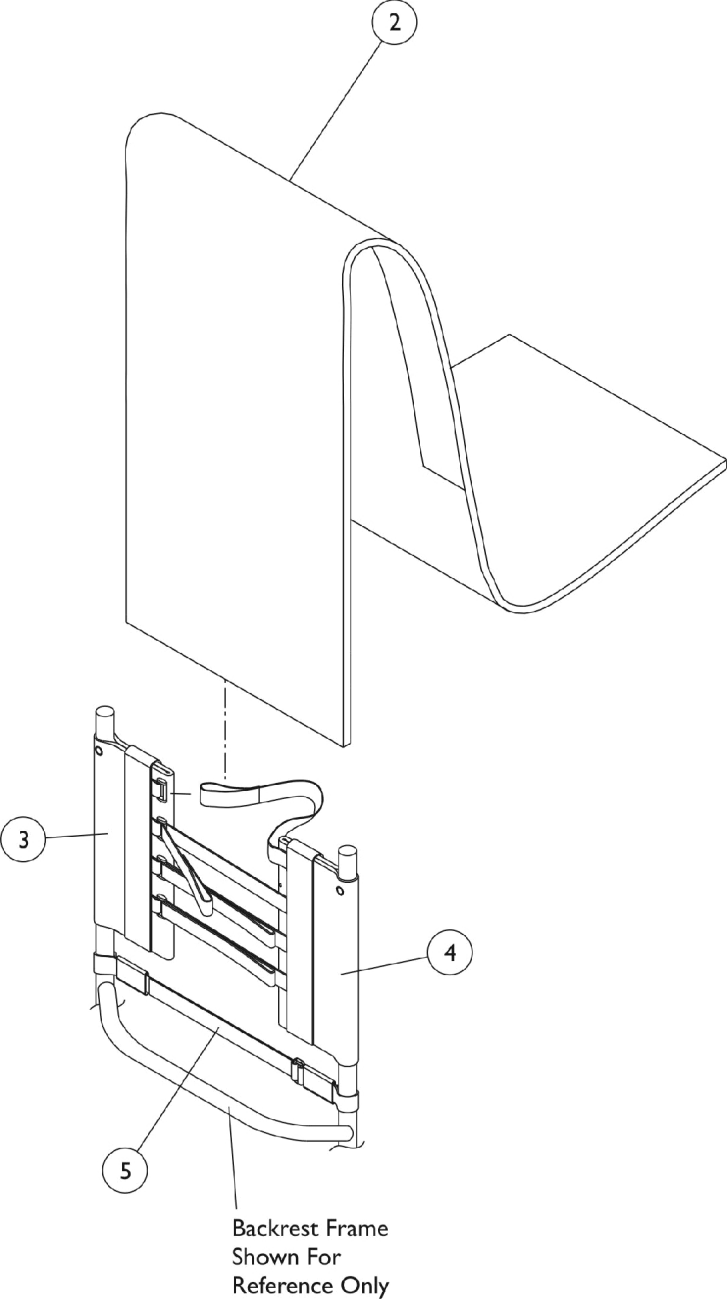
Back Upholstery

For Back Frames see Category "Frames - Base, Seat, and Backrest" for more information.

Fold Over Back Upholstery



Adjustable Tension Back Upholstery



Back Upholstery

For Back Frames see Category "Frames - Base, Seat, and Backrest" for more information.

Item Number	Note	Part Number	Description	Quantity Per	
				Package	Assembly
1		See Chart	#1 Cover - Fold Over Ballistic Nylon Back	1	1
2		See Chart	#2 Cover - Ballistic Nylon Adjustable Tension Back	1	1
2		See Chart	#2 Cover - Breathable Mesh Adjustable Tension Back	1	1
3		See Chart	#3 Back Anchor - Adjustable Tension Back	1	1
3		See Chart	#3 Back Anchor - Adjustable Tension Back - For Bolt Through Integral Push Handle	1	1
4		See Chart	#4 Back Adjuster - Adjustable Tension Back	1	1
4		See Chart	#4 Back Adjuster - Adjustable Tension Back - For Bolt Through Integral Push Handle	1	1
5		See Chart	#5 Lumbar Support Strap - Adjustable Tension Back	1	1
	A,B	1039470-NLA	NLA - Instruction Sheet, Adjustable Tension Back Upholstery	1	1

NOTE: A - Not Shown
 B - Item is no longer available from the Invacare Service Parts Department. Refer to the Invacare Website under "Product Literature Search". Enter the part number in the "Keywords" field and download a free PDF version copy.

#1 Cover - Fold Over Ballistic Nylon Back

	8 - 11" High	10 - 14" High	12 - 16" High	14 - 18" High	16 - 20" High
12" Wide	1145598-NLA	1145607-NLA	1145616-NLA	1145625-NLA	1145634-NLA
13" Wide	1145599-NLA	1145608-NLA	1145617-NLA	1145626-NLA	1145635-NLA
14" Wide	1145600	1145609	1145618	1145627	1145636
15" Wide	1145601	1145610	1145619	1145628	1145637
16" Wide	1145602	1145611	1145620	1145629	1145638
17" Wide	1145603	1145612	1145621	1145630	1145639
18" Wide	1145604	1145613	1145622	1145631	1145640
19" Wide	1145605	1145614	1145623	1145632	1145641
20" Wide	1145606	1145615	1145624	1145633	1145642

#2 Cover - Ballistic Nylon Adjustable Tension Back

NOTE: Adjustable Tension Back Assembly numbers are not available. Back Assembly components must be ordered individually. Order item numbers 2, 3, 4, 5 and Instruction Sheet

	8 - 11" High	10 - 14" High	12 - 16" High	14 - 18" High	16 - 20" High
12" Wide	1143944-NLA	1143953-NLA	1143962-NLA	1143971-NLA	1143980-NLA
13" Wide	1143945-NLA	1143954-NLA	1143963-NLA	1143972-NLA	1143981-NLA
14" Wide	1143946-NLA	1143955-NLA	1143964-NLA	1143973-NLA	1143982-NLA
15" Wide	1143947-NLA	1143956-NLA	1143965-NLA	1143974-NLA	1143983-NLA
16" Wide	1143948-NLA	1143957-NLA	1143966-NLA	1143975-NLA	1143984-NLA
17" Wide	1143949-NLA	1143958-NLA	1143967-NLA	1143976-NLA	1143985-NLA
18" Wide	1143950-NLA	1143959-NLA	1143968-NLA	1143977-NLA	1143986-NLA
19" Wide	1143951-NLA	1143960-NLA	1143969-NLA	1143978-NLA	1143987-NLA
20" Wide	1143952-NLA	1143961-NLA	1143970-NLA	1143979-NLA	1143988-NLA

Back Upholstery

For Back Frames see Category "Frames - Base, Seat, and Backrest" for more information.

Back Upholstery

For Back Frames see Category "Frames - Base, Seat, and Backrest" for more information.

#2 Cover - Breathable Mesh Adjustable Tension Back

NOTE: Adjustable Tension Back Assembly numbers are not available. Back Assembly components must be ordered individually. Order item numbers 2, 3, 4, 5 and Instruction Sheet

	8 - 11" High	10 -14" High	12 - 16" High	14 - 18" High	16 - 20" High
12" Wide	1159404-NLA	1159413-NLA	1159422-NLA	1159431-NLA	1159440-NLA
13" Wide	1159405-NLA	1159414	1159423-NLA	1159432-NLA	1159441-NLA
14" Wide	1159406-NLA	1159415-NLA	1159424-NLA	1159433-NLA	1159442-NLA
15" Wide	1159407-NLA	1159416-NLA	1159425-NLA	1159434-NLA	1159443-NLA
16" Wide	1159408-NLA	1159417-NLA	1159426-NLA	1159435-NLA	1159444-NLA
17" Wide	1159409-NLA	1159418-NLA	1159427-NLA	1159436-NLA	1159445-NLA
18" Wide	1159410-NLA	1159419-NLA	1159428-NLA	1159437-NLA	1159446-NLA
19" Wide	1159411-NLA	1159420-NLA	1159429-NLA	1159438-NLA	1159447-NLA
20" Wide	1159412-NLA	1159421-NLA	1159430-NLA	1159439-NLA	1159448

#3 Back Anchor - Adjustable Tension Back

	12 - 17" Wide	18 - 20" Wide
8 - 11" High	1143989-NLA	1160568-NLA
10 - 14" High	1143990-NLA	1160569-NLA
12 - 16" High	1143991-NLA	1160570-NLA
14 - 18" High	1143992-NLA	1160571-NLA
16 - 20" High	1143993-NLA	1160572-NLA

Back Upholstery

For Back Frames see Category "Frames - Base, Seat, and Backrest" for more information.

#3 Back Anchor - Adjustable Tension Back - For Bolt Through Integral Push Handle

	12 - 17" Wide	18 - 20" Wide
8 - 11" High	1145665-NLA	1160573-NLA
10 - 14" High	1145666-NLA	1160574-NLA
12 - 16" High	1145667-NLA	1160575-NLA
14 - 18" High	1145668-NLA	1160576-NLA
16 - 20" High	1145669-NLA	1160577-NLA

#4 Back Adjuster - Adjustable Tension Back

	8 - 11" High	10 - 14" High	12 - 16" High	14 - 18" High	16 - 20" High
12" Wide	1143994-NLA	1144003-NLA	1144012-NLA	1144021-NLA	1144533-NLA
13" Wide	1143995-NLA	1144004-NLA	1144013-NLA	1144022-NLA	1144534-NLA
14" Wide	1143996-NLA	1144005-NLA	1144014-NLA	1144023-NLA	1144535-NLA
15" Wide	1143997-NLA	1144006-NLA	1144015-NLA	1144024-NLA	1144536-NLA
16" Wide	1143998-NLA	1144007-NLA	1144016-NLA	1144025-NLA	1144537-NLA
17" Wide	1143999-NLA	1144008-NLA	1144017-NLA	1144026-NLA	1144538-NLA
18" Wide	1144000-NLA	1144009-NLA	1144018-NLA	1144027-NLA	1144539-NLA
19" Wide	1144001-NLA	1144010-NLA	1144019-NLA	1144028-NLA	1144540-NLA
20" Wide	1144002-NLA	1144011-NLA	1144020-NLA	1144029-NLA	1144541-NLA

Back Upholstery

For Back Frames see Category "Frames - Base, Seat, and Backrest" for more information.

#4 Back Adjuster - Adjustable Tension Back - For Bolt Through Integral Push Handle

	8 - 11" High	10 - 14" High	12 - 16" High	14 - 18" High	16 - 20" High
12" Wide	1146777-NLA	1146786-NLA	1146795-NLA	1146804-NLA	1146813-NLA
13" Wide	1146778-NLA	1146787-NLA	1146796-NLA	1146805-NLA	1146814-NLA
14" Wide	1146779-NLA	1146788-NLA	1146797-NLA	1146806-NLA	1146815-NLA
15" Wide	1146780-NLA	1146789-NLA	1146798-NLA	1146807-NLA	1146816-NLA
16" Wide	1146781-NLA	1146790-NLA	1146799-NLA	1146808-NLA	1146817-NLA
17" Wide	1146782-NLA	1146791-NLA	1146800-NLA	1146809-NLA	1146818-NLA
18" Wide	1146783-NLA	1146792-NLA	1146801-NLA	1146810-NLA	1146819-NLA
19" Wide	1146784-NLA	1146793-NLA	1146802-NLA	1146811-NLA	1146820-NLA
20" Wide	1146785-NLA	1146794-NLA	1146803-NLA	1146812-NLA	1146821-NLA

#5 Lumbar Support Strap - Adjustable Tension Back

Chair Width	Part Number
12" Wide	1160558
13" Wide	1160559-NLA
14" Wide	1160560-NLA
15" Wide	1160561-NLA
16" Wide	1160562-NLA
17" Wide	1160563-NLA
18" Wide	1160564-NLA
19" Wide	1160565-NLA
20" Wide	1160566-NLA