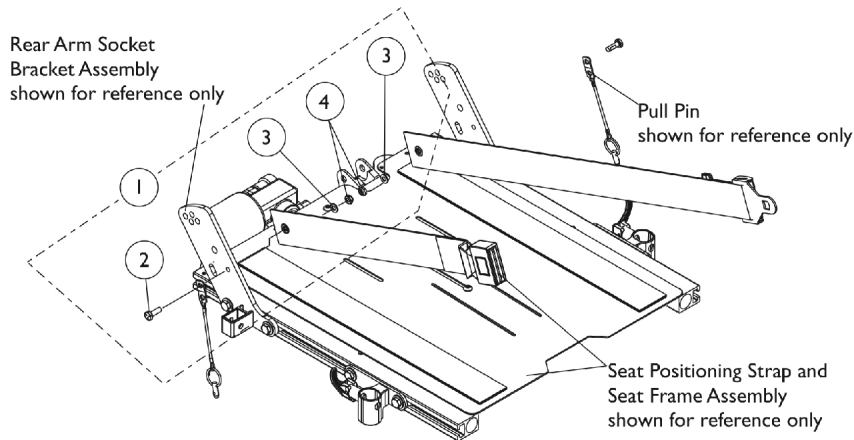
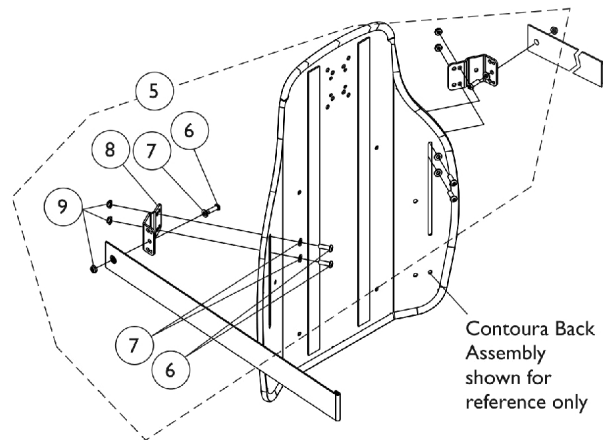


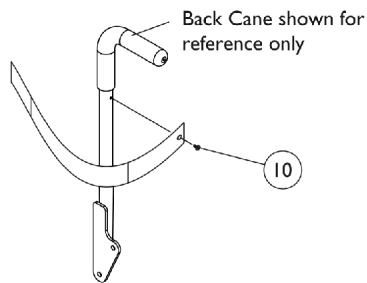
Seat and Chest Positioning Straps w/ Mounting Hardware



**Seat Positioning Strap Mounting Hardware
(All Systems)**



**Chest Positioning Strap
Mounting Hardware
(For Contoura Seating)**



**Chest Positioning Strap
Mounting Hardware
(For Metal Curved Back and
CGT w/ BPO Option)**

Seat and Chest Positioning Straps w/ Mounting Hardware

Item Number	Note	Part Number	Description	Quantity Per	
				Package	Assembly
1	A	1124385	Kit, Seat Positioning Strap Mounting Hardware (both LT & RT sides)	1	1
2			Screw, Hex Head w/ Patch (1/4-20 x 3/4")	1	2
3			Washer (1/4 x 1/2 x 1/16")	1	2
4			Locknut (1/4-20)	1	2
5	B	1125798	Kit, Chest Positioning Strap's Mounting Hardware For Contoura Seating (both LT & RT sides)	1	1
6			Screw, Socket Button (1/4-20 x 3/4")	1	6
7			Washer (1/4 x 1/2 x 1/16")	1	6
8			Bracket, Positioning Strap, Black	1	2
9			Locknut (1/4-20)	1	6
10		1026298	Package, Screw with Washer (#10 x 7/8") (Pair)	2	1
NOTE: A - Includes items 2-4 B - Includes items 6-9					