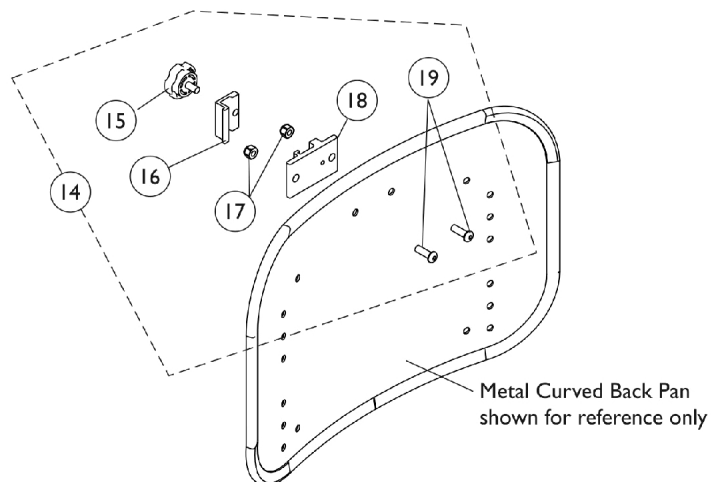
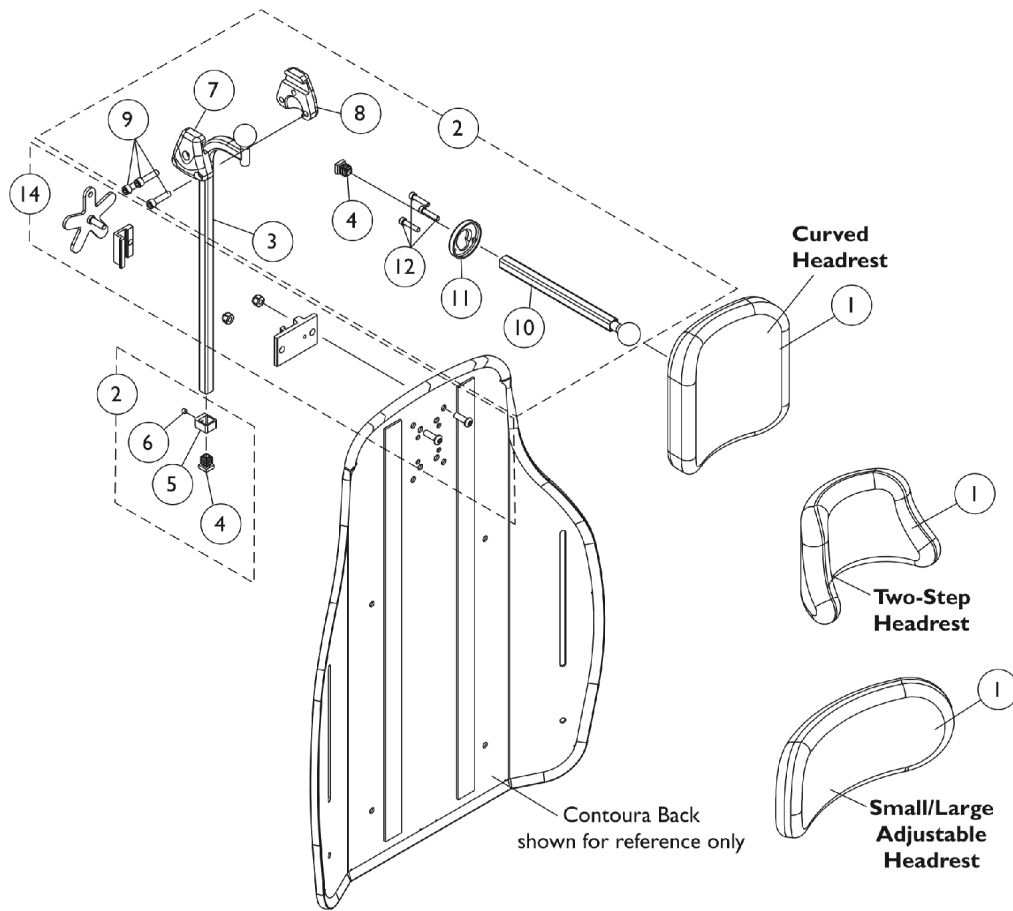


# Headrest Support Assembly - Tarsys



## Headrest Support Assembly - Tarsys

Item Number	Note	Part Number	Description	Quantity Per	
				Package	Assembly
1		0127700	Headrest, Curved (6" W x 7" H)	1	1
1		0128000-NLA	NLA - Headrest, Two-Step (8-1/2" W x 5-1/2" H)	1	1
1		0022600	Kit, Headrest w/ Screws, Adjustable, Small, Otto Bock (9" W x 3-1/2" H)	1	1
1		0022400	Kit, Headrest w/ Screws, Adjustable, Large, Otto Bock (12" W x 6" H)	1	1
2	A	0197024	Fixture Assembly, Offset Support	1	1
3		0271524-NLA	NLA - Tube, Offset Fixture, Black	1	1
4		1077076-NLA	NLA - Plug Button, Square (1/2")	1	2
5		0271124-NLA	NLA - Collar, Offset Fixture Tube	1	1
6		0288606-NLA	NLA - Screw, Set Socket Cup Point (#10-24 x 3/16")	1	1
7		0271224	Half Clamp, Non-Threaded Holes	1	1
8		0271324	Half Clamp, Threaded Holes	1	1
9		1027268	Screw, Allen Head (1/4-20 x 1")	1	3
10		0271424-NLA	NLA - Tube, Fixture Adjustment	1	1
11		0283724-NLA	NLA - Ring, Fixture Clamp	1	1
12		0067006-NLA	NLA - Screw, Cap, Socket Head (#10-32 x 1/2")	1	3
13	B	1124685	Kit, Contoura Headrest Mounting	1	1
14	C	1160332	Kit, Headrest Clamp, Knob Style	1	1
15		1072439-NLA	NLA - Knob, Adjustment, Black (3/4" L Threads)	1	1
16	D	0237522-NLA	NLA - Clamp, Small Top Half	1	1
17		1025736	Locknut (1/4-20)	1	2
18	D	0237422-NLA	NLA - Clamp, Small Bottom Half	1	1
19		1009838	Screw, Socket Button (1/4-20 x 3/4")	1	2

NOTE: A - Includes items 3-12  
 B - Individual components are not available  
 C - Includes items 15-19. Hardware is used on 12-15" wide Conventional Backs, 16-22" Metal Curved Backs and CGT w/ BPO Option. Hardware can also be used on an Invacare PCS Back.  
 D - Clamp is no longer available individually. See Headrest Clamp Mounting Hardware Kit item 14.