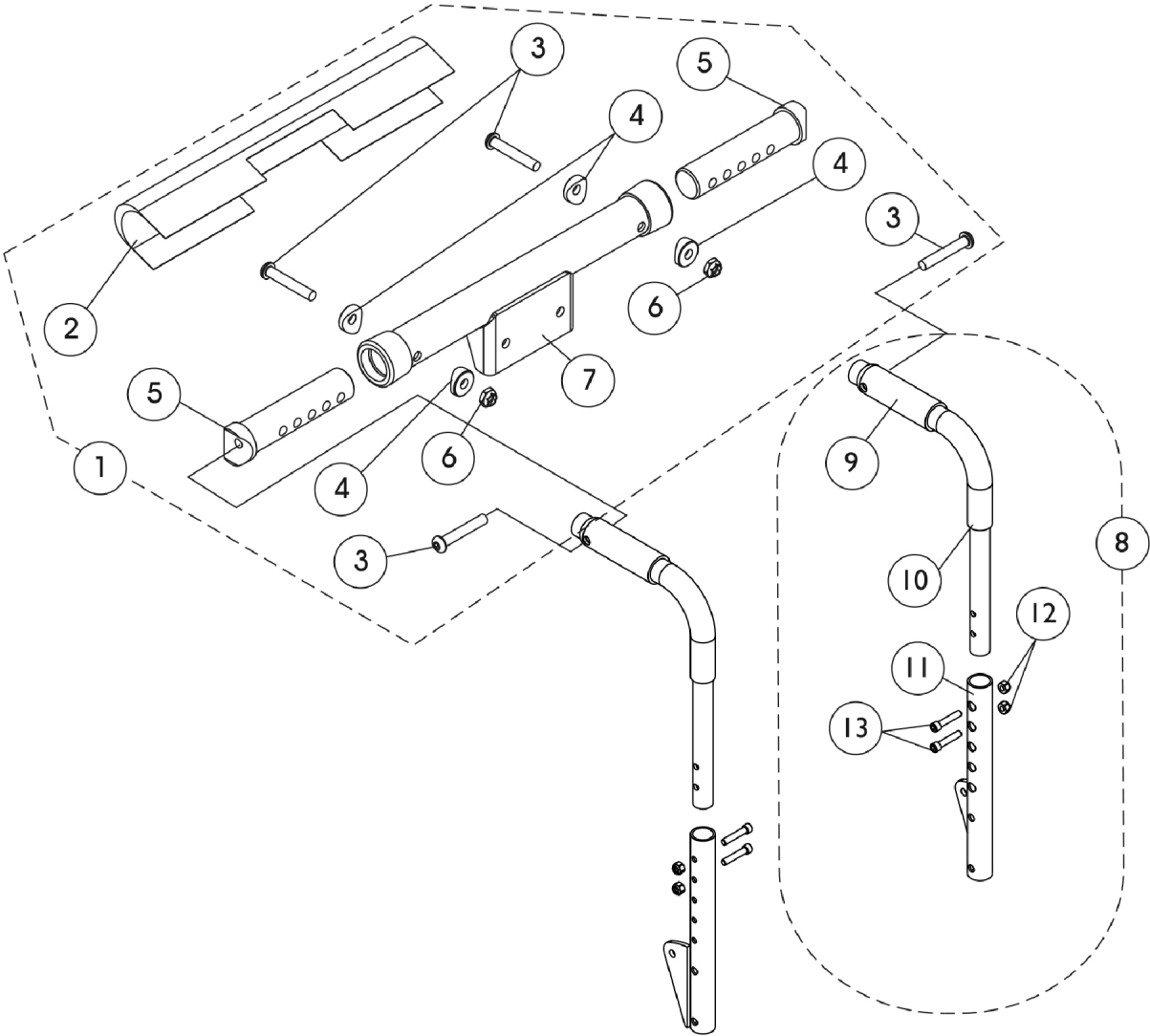


Back Cane - Spreader Bar and Push Handle Assembly (12-15" W) Conventional Back



Back Cane - Spreader Bar and Push Handle Assembly (12-15" W) Conventional Back

Item Number	Note	Part Number	Description	Quantity Per	
				Package	Assembly
1	A	1148152	Kit, Spreader Bar Assembly, 12-16" W Conventional Back & BPO Option	1	1
2			Cover, Spreader Bar w/ Headrest Bracket	1	1
3			Screw, Socket Button Head (1/4-20 x 1-1/2")	1	4
4			Spacer, Coved (1/4 x 11/16 x 1/2")	1	4
5			NLA - Insert, Spreader Bar Connector, Black	1	2
6			Locknut (1/4-20)	1	2
7			NLA - Tube, Spreader Bar w/ Headrest Bracket, Black	1	1
8	B	1152735	Kit, Back Cane Assembly with Hardware (16"-19" Back Height) - Right	1	1
9			Grip, Hand, Foam (4")	1	1
10			Handle, Push, Black	1	1
11			Cane, Back, Lower, Black - Right (16-19" H)	1	1
12			Screw, Socket Head (1/4-20 x 1-1/4")	1	2
13			Locknut (1/4-20)	1	2
8	B	1152736	Kit, Back Cane Assembly with Hardware (16"-19" Back Height) - Left	1	1
9			Grip, Hand, Foam (4")	1	1
10			Handle, Push, Black	1	1
11			Cane, Back, Lower, Black - Left (16-19" H)	1	1
12			Screw, Socket Head (1/4-20 x 1-1/4")	1	2
13			Locknut (1/4-20)	1	2
8	B	1152737	Kit, Back Cane Assembly with Hardware (20"-22" Back Height) - Right	1	1
9			Grip, Hand, Foam (4")	1	1
10			Handle, Push, Black	1	1
11			Cane, Back, Lower, Black - Right (20 - 22" H)	1	1
12			Screw, Socket Head (1/4-20 x 1-1/4")	1	2
13			Locknut (1/4-20)	1	2
8	B	1152738	Kit, Back Cane Assembly with Hardware (20"-22" Back Height) - Left	1	1
9			Grip, Hand, Foam (4")	1	1
10			Handle, Push, Black	1	1
11			Cane, Back, Lower, Black - Left (20 - 22" H)	1	1
12			Screw, Socket Head (1/4-20 x 1-1/4")	1	2
13			Locknut (1/4-20)	1	2
9		1135505	Package, Foam Hand Grip (4" L)	10	1

NOTE: A - Includes items 2-7
B - Includes items 9-13