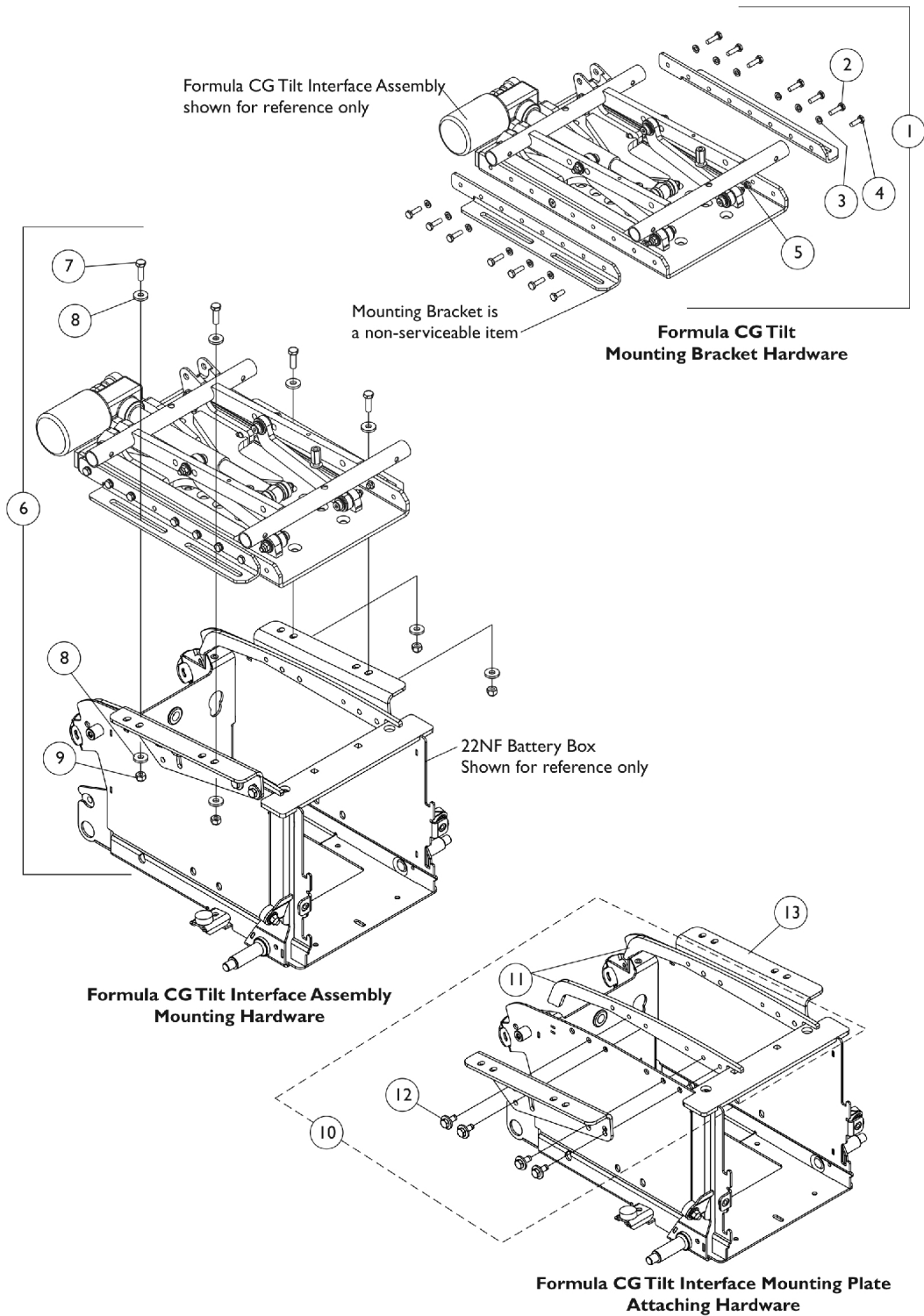


Seat Frame Mounting Hardware & Interface Mtg. Plates



Seat Frame Mounting Hardware & Interface Mtg. Plates

Item Number	Note	Part Number	Description	Quantity Per	
				Package	Assembly
1	A	1121713-NLA	NLA - Kit, Formula CG Tilt & Tilt/Recline Mounting Bracket Hardware	1	1
2			Screw, Hex Head (1/4-20 x 7/8")	1	12
3			Lockwasher, Split (1/4")	1	12
4			NLA - Bolt, Hex Head Cap (1/4-20 x 3/4")	1	2
5			Locknut (1/4-20)	1	2
6	B	1121699	Kit, Formula CG Tilt, Recline & Tilt/Recline Interface Asbly. Mtg. Hdwr. (For TDX SP w/ 22NF Batteries)	1	1
7			Screw, Hex Head (5/16-18 x 1")	1	4
8			Washer, Flat (21/64 x 53/64 x 7/64")	1	8
9			Locknut, High Profile (5/16-18)	1	4
10	C,G	1147130	Kit, Interface Mounting Plate Hardware	1	1
11			Plate, Nut	1	2
12			Screw, Hex Head SEMS w/ Patch (5/16-18 x 3/4")	1	8
	H	1144678	Package, Screw Hex Head Sems with Patch (5/16-18 x 3/4")	10	1
13	D	1121697-NLA	NLA - Plate, Low Interface Mounting - Right	1	1
13	D	1121698-NLA	NLA - Plate, Low Interface Mounting - Left	1	1
13	E	1148011-NLA	NLA - Plate, Medium Interface Mounting - Right	1	1
13	E	1148012-NLA	NLA - Plate, Medium Interface Mounting - Left	1	1
13	F	1148013-NLA	NLA - Plate, High Interface Mounting - Right	1	1
13	F	1148014-NLA	NLA - Plate, High Interface Mounting - Left	1	1

NOTE: A - Includes items 2-5
 B - Includes items 7-9
 C - Includes items 11 and 12
 D - Low Seat-To-Floor = 17.5" at 0 degrees
 E - Medium Seat-To-Floor = 18.5" at 0 degrees
 F - High Seat-To-Floor = 19.5" at 0 degrees
 G - When a TRBKTS option is used, item 11 Nut Plate is replaced with the TRBKTS Tie-Down Bracket. When replacement hardware is needed, order a package of 10 screws part number 1144678.
 H - Not Shown. Replacement hardware for TRBKTS Tie-Down Bracket only.