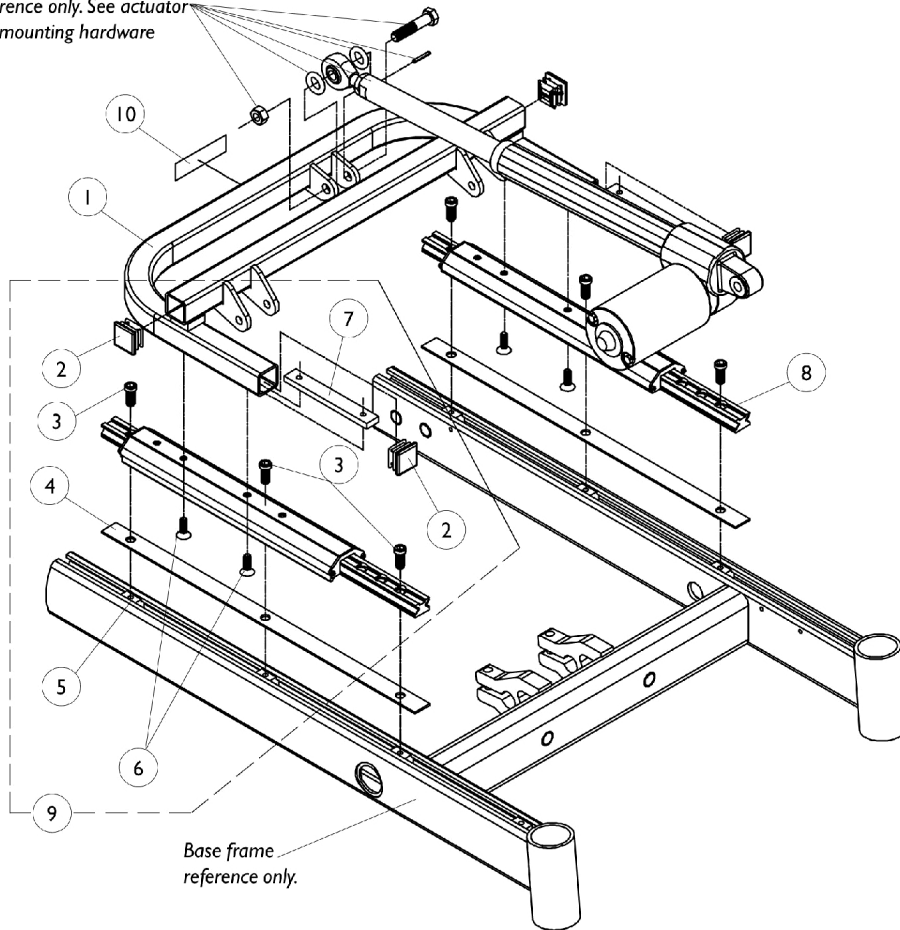


Rear Frame and Mounting Hardware

Reference only. See actuator
and mounting hardware



Base frame
reference only.

Rear Frame and Mounting Hardware

Item Number	Note	Part Number	Description	Quantity Per	
				Package	Assembly
1		1087632-NLA	NLA - Frame Assembly w/o Decal, Black - Rear	1	1
2		1071237	Plug Button, Square, Black (1")	1	4
3		1117326-NLA	NLA - Screw, Socket Head w/ Patch (5/16-18 x 7/8")	1	6
4		1068114-NLA	NLA - Shim, Seat Slide, Lower Extrusion	1	2
5		1069724	T-Nut (5/16-18)	1	7
6		1091869-NLA	NLA - Screw, Socket Flat Head w/ Patch (1/4-20 x 3/4")	1	4
7		1087652-NLA	NLA - Bar, Clamp, Color	1	2
8		1087732-NLA	NLA - Guide, Linear	1	2
9	A	1106539	Hardware, Rear Frame Mounting	1	1
10		1087602-NLA	NLA - Decal, Invacare Power Tilt Only	1	1
NOTE: A - Less Linear Guidance (Includes items 2-7)					