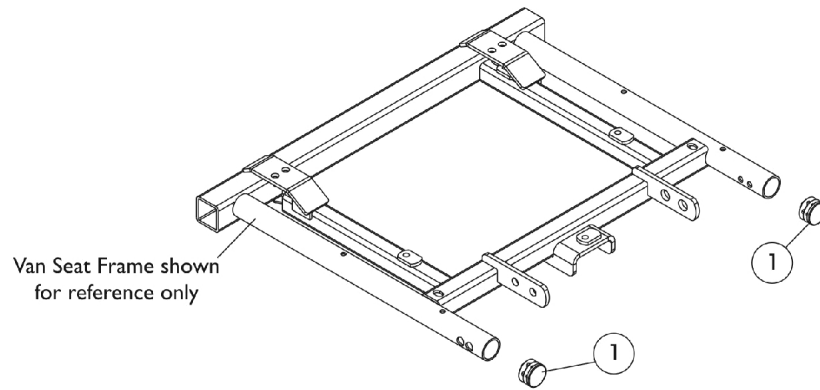
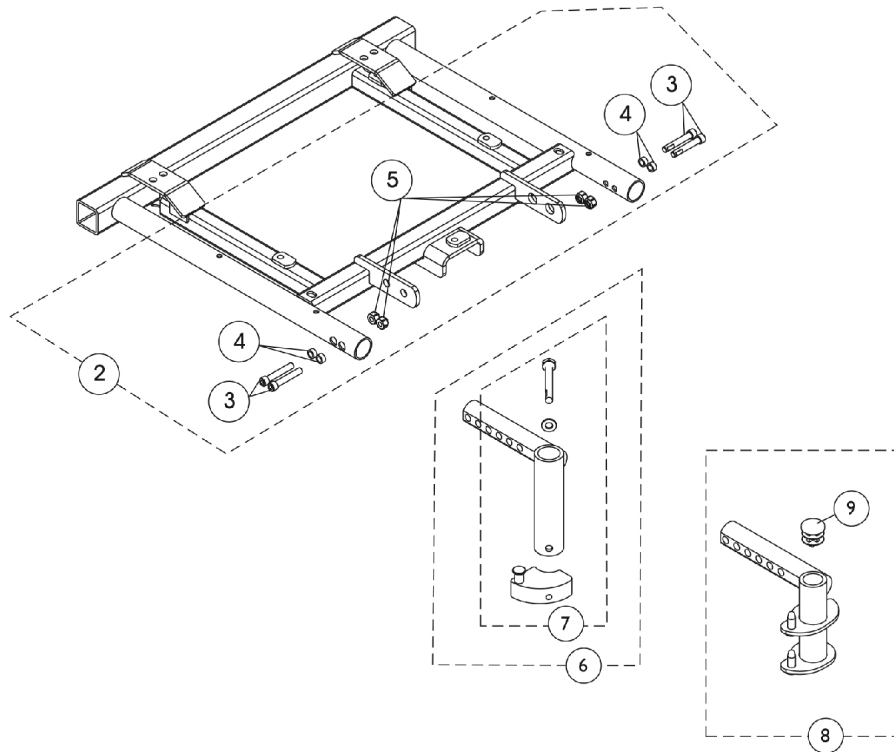


Front Rigging Hangers and Hardware For Van Seat



Swingaway Front Rigging Non-Hanger Hardware
(When Front Rigging Is Excluded From Chair)
Or
When Center Mount Riggings are used



Swingaway Front Rigging Hanger Mounting Hardware
(For Sector and Pin Style riggings)

Front Rigging Hangers and Hardware For Van Seat

Item Number	Note	Part Number	Description	Quantity Per	
				Package	Assembly
1		1134425	Package, Plug Button, Black (1")	10	1
2	A	1148228	Kit, Front Rigging Hanger Hardware For Van Seat	2	1
3			Screw, Socket Head Cap w/ Patch (1/4-20 x 1-1/2")	1	4
4			NLA - Spacer (1/4 x 3/8 x 3/16")	1	4
5			Locknut (1/4-20)	1	4
6	B	1143416	Front Rigging Hanger Assembly w/ Sector Block, Black - Right	1	1
6	B	1143417	Front Rigging Hanger Assembly w/ Sector Block, Black - Left	1	1
7	C	1054571	Kit, Sector Block - Right	1	1
7	C	1054572	Kit, Sector Block - Left	1	1
8	D	1143783	Front Rigging Hanger Assembly w/ Plug Button, Hemi, Black - Right	1	1
8	D	1143784	Front Rigging Hanger Assembly w/ Plug Button, Hemi, Black - Left	1	1
9		1134426	Package, Plug Button, Black (3/4")	10	1
NOTE: A - Includes items 3-5. B - Includes item 7. C - Includes Sector Block, Screw and Washer. D - Includes item 9 Plug Button.					