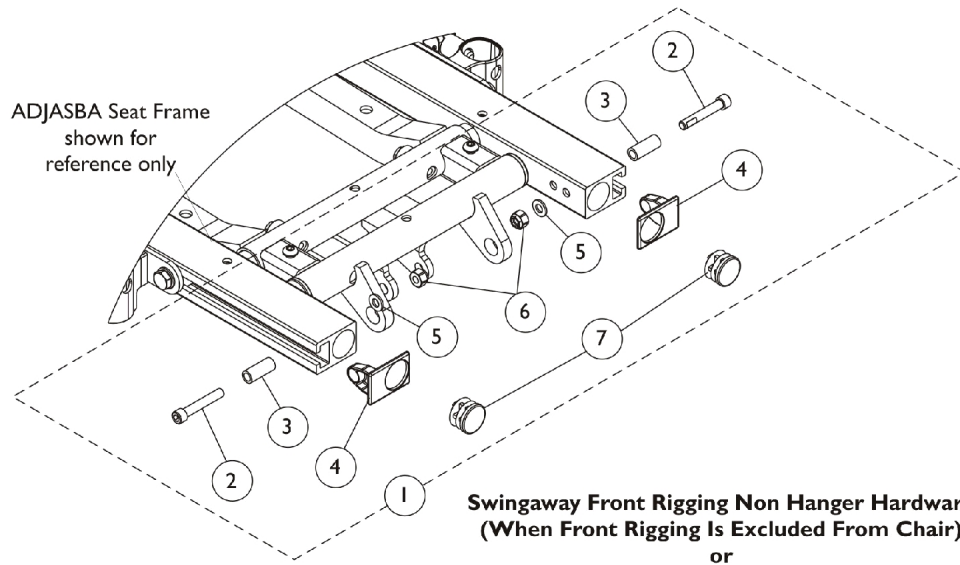
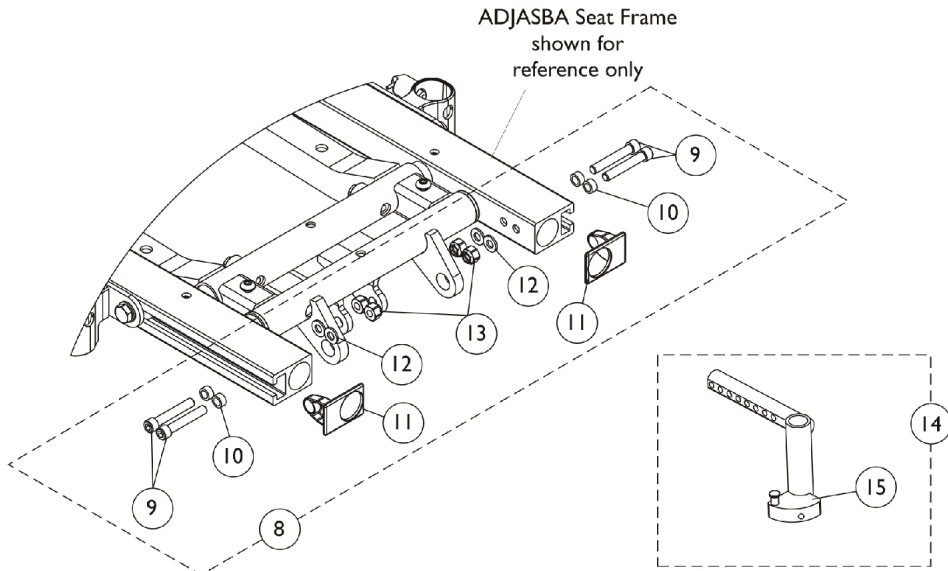


Front Rigging Hanger and Hardware Pin and Sector Style ADJASBA (12-16" Wide)



**Swingaway Front Rigging Non Hanger Hardware
(When Front Rigging Is Excluded From Chair)
or
When Center Mount Riggings are used**



**Swingaway Front Rigging Hanger Mounting Hardware
(For Sector and Pin Style Riggings)**

Front Rigging Hanger and Hardware Pin and Sector Style ADJASBA (12-16" Wide)

Item Number	Note	Part Number	Description	Quantity Per	
				Package	Assembly
1	A	1126150	Kit, Side Rail Cap Hardware	2	1
2			Screw, Socket Head Cap w/ Patch (1/4-20 x 1-1/2")	1	2
3			Spacer (1/4 x 3/8 x 29/32")	1	2
4			Cap, End, Side Rail, Black	1	2
5			Washer (1/4 x 1/2 x 1/16")	1	2
6			Locknut (1/4-20)	1	2
7			Plug Button, Black (7/8")	1	2
8	B	1136019	Kit, Front Rigging Hanger Mounting Hardware	2	1
9			Screw, Socket Head Cap w/ Patch (1/4-20 x 1-1/2")	1	4
10			NLA - Spacer (1/4 x 3/8 x 3/16")	1	4
11			Cap, End, Side Rail, Black	1	2
12			Washer (1/4 x 1/2 x 1/16")	1	4
13			Locknut (1/4-20)	1	4
14	C	1122602	Front Rigging Hanger Assembly w/ Sector Block, Black - Right	1	1
14	C	1122603	Front Rigging Hanger Assembly w/ Sector Block, Black - Left	1	1
15	D	1054571	Kit, Sector Block - Right	1	1
15	D	1054572	Kit, Sector Block - Left	1	1
16	E	1124401	Front Rigging Hanger Assembly w/ Plug Button, Pin Style, Hemi, Black - Right	1	1
16	E	1124402	Front Rigging Hanger Assembly w/ Plug Button, Pin Style, Hemi, Black - Left	1	1
17		1134426	Package, Plug Button, Black (3/4")	10	1
7		1130582	Package, Plug Button, Black (7/8")	10	1

NOTE: A - Includes items 2-7.
B - Includes items 9-13.
C - Includes item 15.
D - Includes Sector Block, Screw and Washer.
E - Includes item 17.