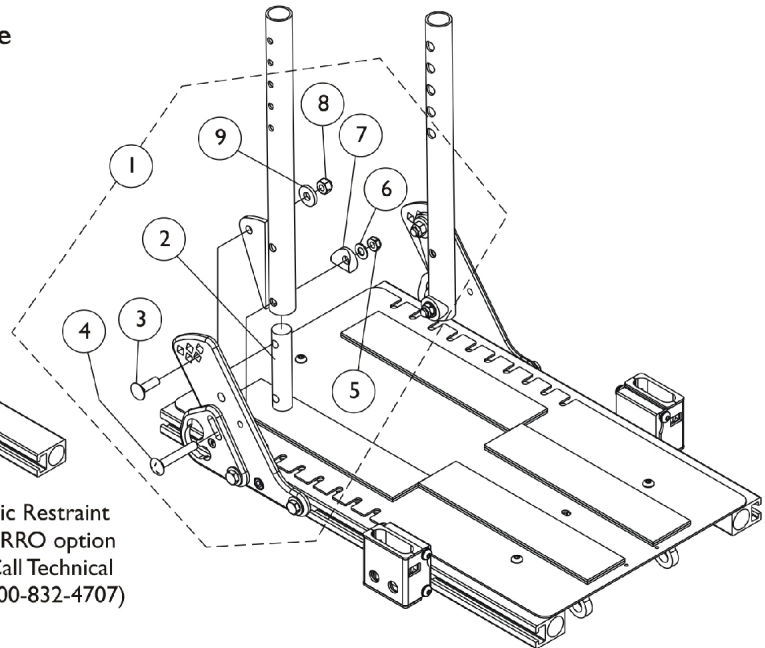
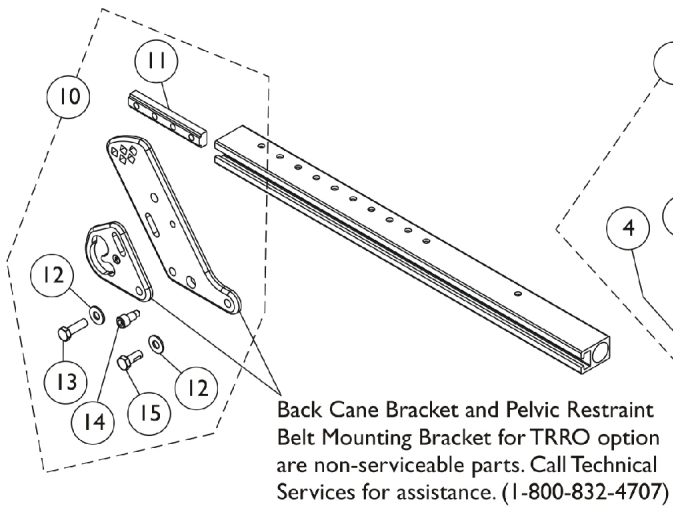


Back Cane Attaching Hardware

ADJASBA Seats with TRRO Option (12-16" W x 12-18" D)

Back Cane Bracket Mounting Hardware with TRRO Option



Back Cane Mounting Hardware with TRRO Option

Back Cane Attaching Hardware

ADJASBA Seats with TRRO Option (12-16" W x 12-18" D)

Item Number	Note	Part Number	Description	Quantity Per	
				Package	Assembly
1	A	1147968	Kit, Back Cane Mounting Hardware TRRO (Pair)	1	1
2			NLA - Insert, Back Cane	1	2
3			Bolt, Round Head Square Neck (5/16-18 x 1")	1	2
4			Screw, Round Head Square Neck (5/16-18 x 2")	1	2
5			Locknut (5/16-18)	1	2
6			Washer, Flat (5/16 x 5/8 x 1/16")	1	2
7			Spacer, Coved (3/4 x 1 x 1/2")	1	2
8			Locknut (5/16-18)	1	2
9			Washer, Flat (21/64 x 53/64 x 7/64")	1	2
10	B	1154111-NLA	NLA - Kit, Back Cane Bracket Mounting Hardware TRRO	1	1
11			T-Nut (5/16-18)	1	1
12			Washer, Steel (5/16 x 3/4 x 1/16")	1	2
13			NLA - Screw, Hex Head w/ Patch (5/16-18 x 1")	1	1
14			Screw, Socket Head (5/16-18 x 3/4")	1	1
15			Screw, Hex Head w/ Patch (5/16-18 x 3/4")	1	1
NOTE: A - Includes items 2-9. B - Includes items 11-15.					