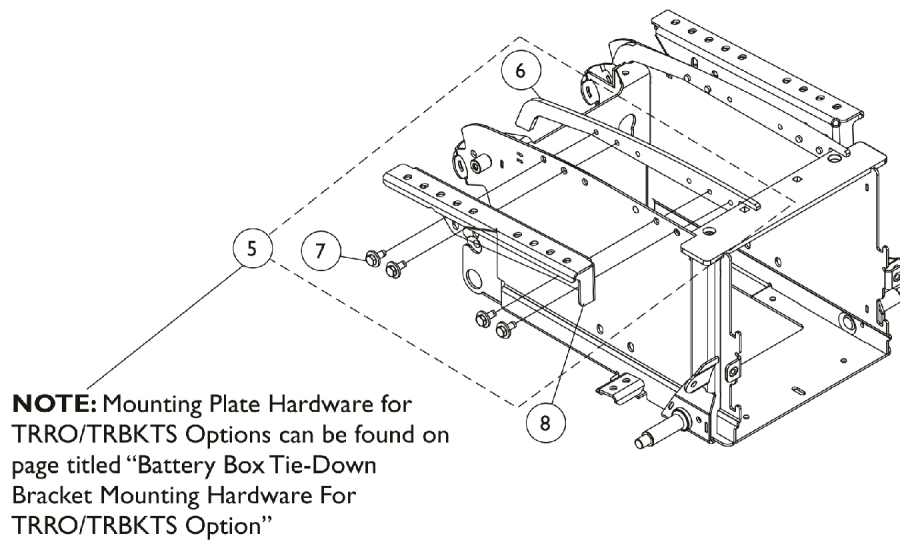
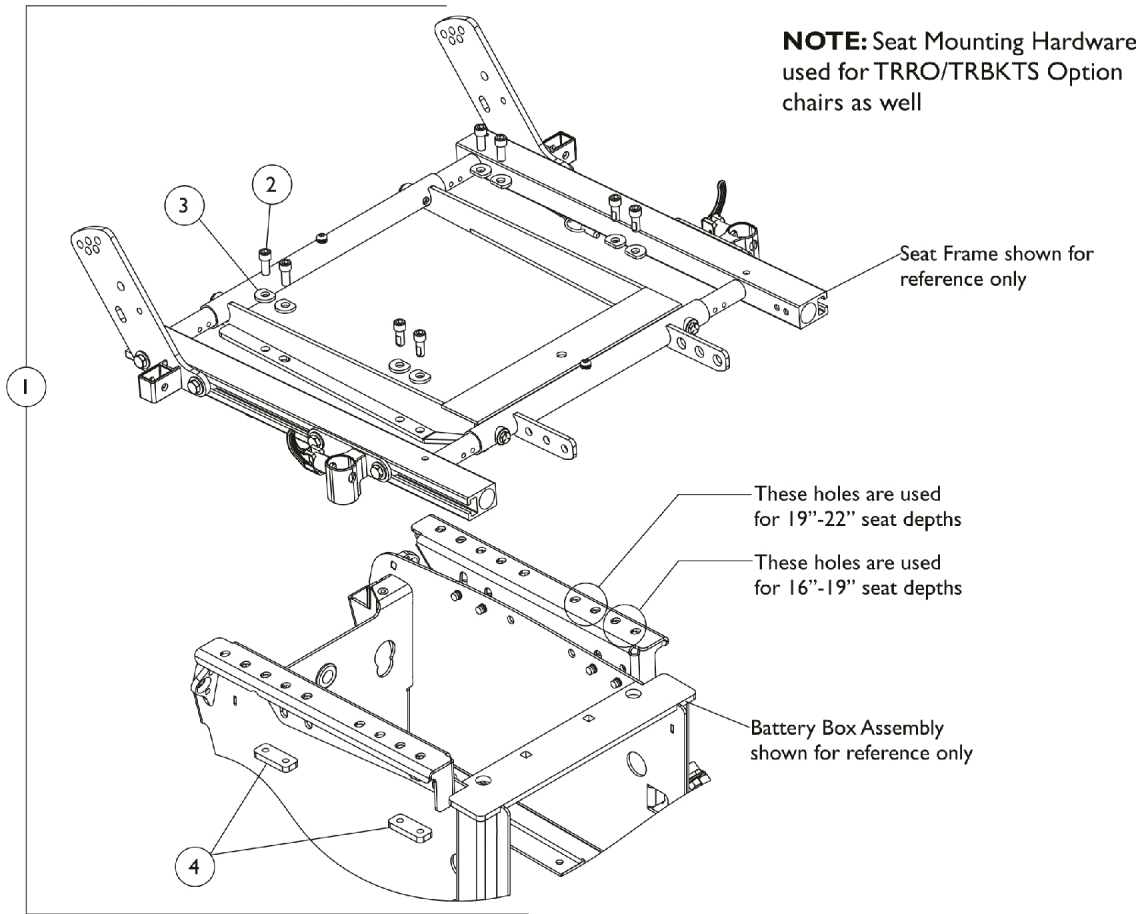


ADJASBA Seat Frame Mounting Hardware (16-24" Wide)



ADJASBA Seat Frame Mounting Hardware (16-24" Wide)

Item Number	Note	Part Number	Description	Quantity Per	
				Package	Assembly
1	A	1144686	Kit, Seat Frame Mounting Hardware	1	1
2			NLA - Screw, Socket Head (5/16-18 x 3/4")	1	8
3			NLA - Washer, Ground (11/32 x 13/16 x 1/8")	1	8
4			Plate, Nut (5/16-18)	1	4
5	B	1147130	Kit, Interface Mounting Plate Hardware	1	1
6			Plate, Nut	1	2
7			Screw, Hex Head SEMS w/ Patch (5/16-18 x 3/4")	1	8
8	C,D	1142298	Plate, Low Seat-To-Floor Mounting - Right	1	1
8	C,D	1142299	Plate, Low Seat-To-Floor Mounting - Left	1	1
8		1142300	Plate, Medium Seat-To-Floor Mounting - Right	1	1
8		1142301	Plate, Medium Seat-To-Floor Mounting - Left	1	1
8		1142302	Plate, High Seat-To-Floor Mounting - Right	1	1
8		1142303	Plate, High Seat-To-Floor Mounting - Left	1	1

NOTE: A - Includes items 2-4 and used for TRRO/TRBKTS option also.
B - Includes items 6 and 7.
C - LOW Seat-To-Floor is used when TRRO/TRBKTS option is ordered.
D - When TRRO/TRBKTS option is used, refer to page titled "Battery Box Tie-Down Bracket Mounting Hardware For TRRO/TRBKTS Option" for Mounting Plate Hardware.