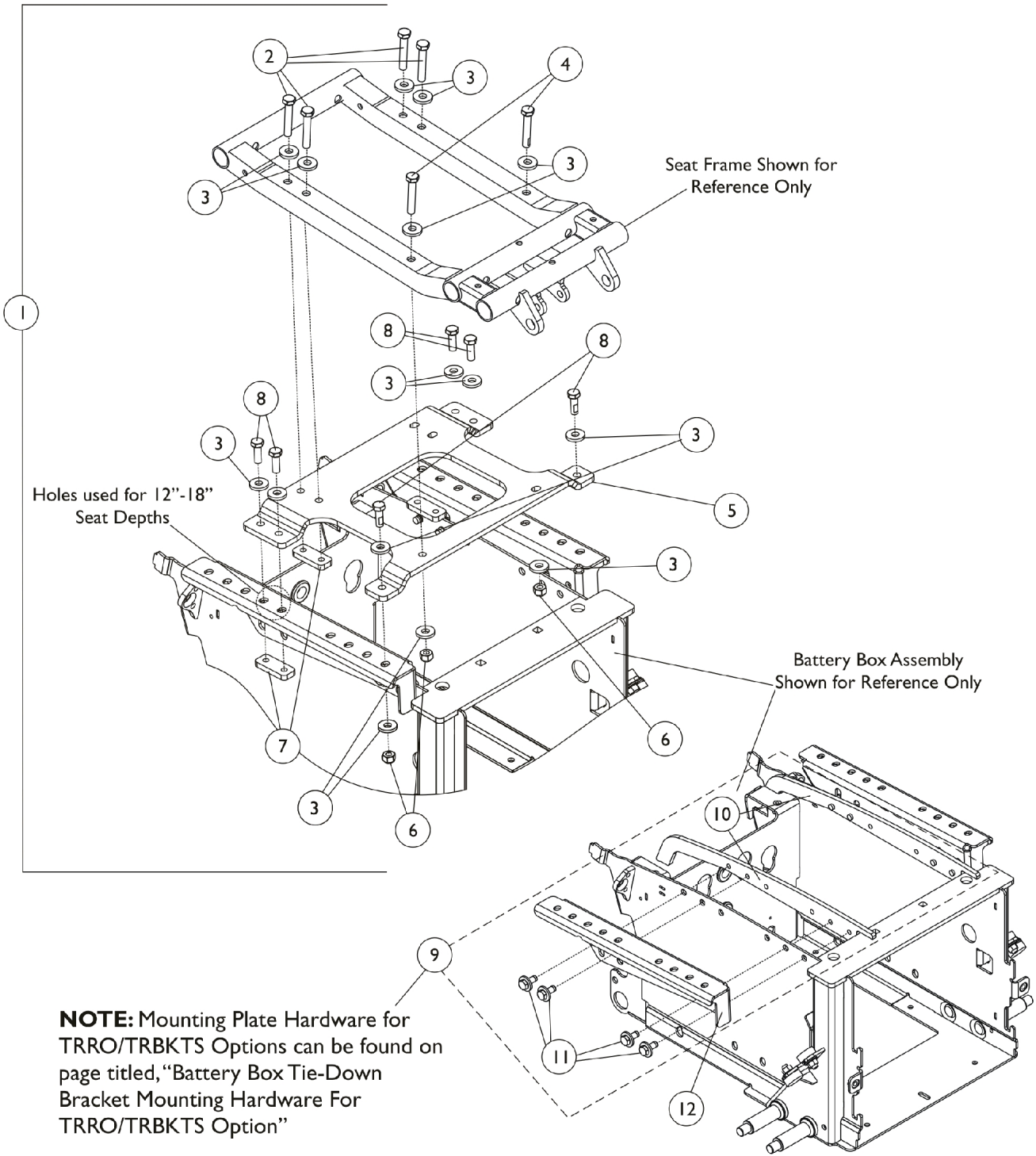


# ADJASBA Seat Frame Mounting Hardware (12-16" Wide)



**NOTE:** Mounting Plate Hardware for TRRO/TRBKTS Options can be found on page titled, "Battery Box Tie-Down Bracket Mounting Hardware For TRRO/TRBKTS Option"

## ADJASBA Seat Frame Mounting Hardware (12-16" Wide)

Item Number	Note	Part Number	Description	Quantity Per	
				Package	Assembly
1	A	1144687-NLA	NLA - Kit, Seat Frame Mtg. Hdwr. 12"-16" Wide	1	1
2			NLA - Screw, Hex Head w/ Patch (5/16-18 x 1-3/4")	1	4
3			Washer, Flat (21/64 x 53/64 x 7/64")	1	16
4			NLA - Screw, Hex Head (5/16-18 x 2")	1	2
5			Bracket, Seat Frame Mounting, Black (12 - 16" W)	1	1
6			Locknut (5/16-18)	1	4
7			Plate, Nut (5/16-18)	1	4
8			NLA - Screw, Hex Head w/ Patch (5/16-18 x 1")	1	6
9	B	1147130	Kit, Interface Mounting Plate Hardware	1	1
10			Plate, Nut	1	2
11			Screw, Hex Head SEMS w/ Patch (5/16-18 x 3/4")	1	8
12	C	1142298	Plate, Low Seat-To-Floor Mounting - Right	1	1
12	C	1142299	Plate, Low Seat-To-Floor Mounting - Left	1	1
12		1142300	Plate, Medium Seat-To-Floor Mounting - Right	1	1
12		1142301	Plate, Medium Seat-To-Floor Mounting - Left	1	1
12		1142302	Plate, High Seat-To-Floor Mounting - Right	1	1
12		1142303	Plate, High Seat-To-Floor Mounting - Left	1	1

NOTE: A - Includes items 2-8 and used for TRRO/TRBKTS option also.  
 B - Includes items 10 and 11.  
 C - When TRRO/TRBKTS option is ordered, the LOW Seat-To-Floor Mounting Plates are used. This will allow a CTMT Rigging to be attached.