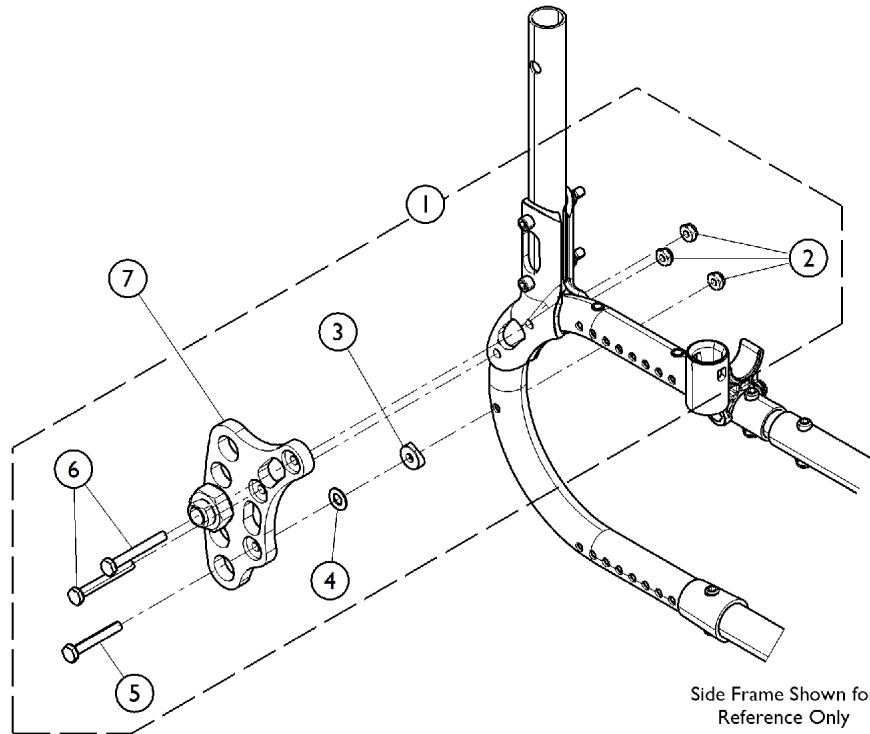


Amputee Attachment

When an Amputee Attachment is ordered for a chair built Before 2/10/06, 2 new Rear Frames (8881127987) must be ordered as well due to the additional hole that is required in the frame.



Side Frame Shown for Reference Only

Item Number	Note	Part Number	Description	Quantity Per	
				Package	Assembly
1	A	1134117	Kit, Amputee Attachment Hardware	1	1
2			Locknut (1/4-28)	1	6
3			Spacer, Coved (1/4 x 11/16 x 1/2")	1	2
4			Washer, Flat (5/16 x 5/8 x 1/16")	1	2
5			Screw, Hex Head (1/4-28 x 1-3/4")	1	2
6			Screw, Hex Head (1/4-28 x 2")	1	4
7	B	1134114	Axle Plate Assembly, Amputee Attachment, Silver Anodized	1	2
7	B	1154374	Axle Plate Assembly, Amputee Attachment, Black Anodized	1	1
			Bushing, Threaded Axle	1	2
			Washer, Stainless Steel (3/4 x 1-1/8 x 1/32")	1	4
			Nut, Jam (3/4"-16)	1	4
			Bracket, Amputee, Black Anodized - Right	1	1
			Bracket, Amputee, Black Anodized - Left	1	1

NOTE: A - Includes items 2-6, enough hardware for both Axle Plates.
 B - Includes 2 ea. (Right/Left) Axle Plates, 2 ea. Axle Bushings, 4 ea. Washers, and 4 ea. Locknuts.