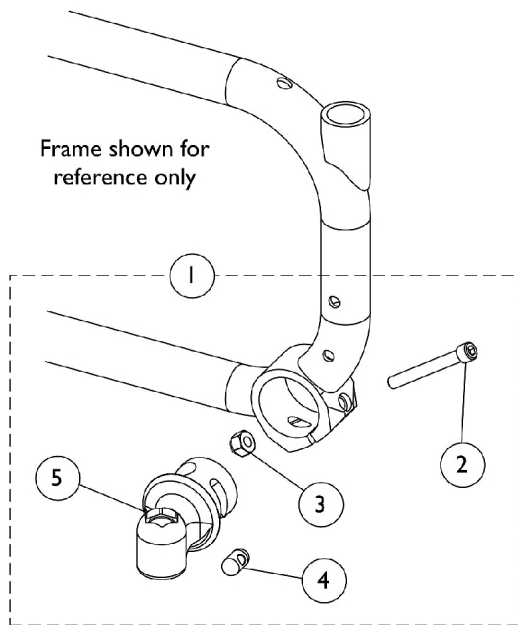
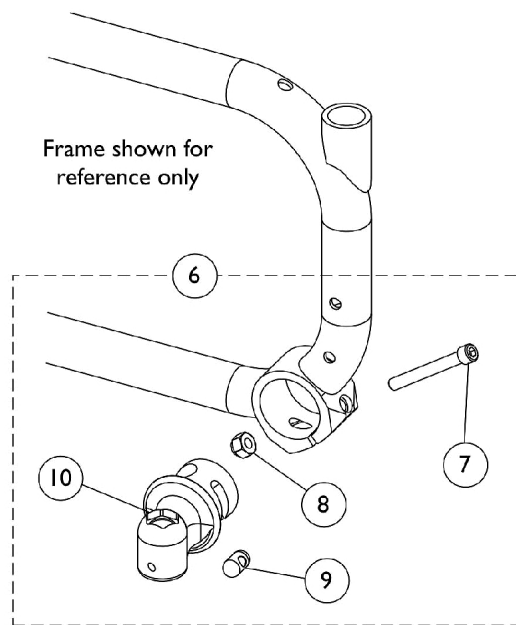


# Headtubes w/ Hardware



**Chairs without Caster Swivel Locks**



**Chairs with Caster Swivel Locks**

## Headtubes w/ Hardware

Item Number	Note	Part Number	Description	Quantity Per	
				Package	Assembly
1	A	1130530	Kit, Caster Headtubes with Hardware, Clear Anodized	1	1
2			Screw, Socket Head (1/4-28 x 2")	1	2
3			Locknut (1/4-28)	1	2
4			Pin, Threaded (3/8" x 3/4")	1	2
5			Headtube, Caster, Clear Anodized - Right	1	1
5			Headtube, Caster, Clear Anodized - Left	1	1
1	A	1154354	Kit, Caster Headtubes with Hardware, Black Anodized	1	1
2			Screw, Socket Head (1/4-28 x 2")	1	2
3			Locknut (1/4-28)	1	2
4			Pin, Threaded (3/8" x 3/4")	1	2
5			Headtube, Caster, Black Anodized - Right	1	1
5			Headtube, Caster, Black Anodized - Left	1	1
6	B	1141354	Kit, Caster Headtubes with Hardware, Clear Anodized	1	1
7			Screw, Socket Head (1/4-28 x 2")	1	2
8			Locknut (1/4-28)	1	2
9			Pin, Threaded (3/8" x 3/4")	1	2
10			Headtube, Caster Swivel Lock, Clear Anodized - Right	1	1
10			Headtube, Caster Swivel Lock, Clear Anodized - Left	1	1
6	B	1154357	Kit, Caster Headtubes with Hardware, Black Anodized	1	1
7			Screw, Socket Head (1/4-28 x 2")	1	2
8			Locknut (1/4-28)	1	2
9			Pin, Threaded (3/8" x 3/4")	1	2
10			Headtube, Caster Swivel Lock, Black Anodized - Right	1	1
10			Headtube, Caster Swivel Lock, Black Anodized - Left	1	1

NOTE: A - Chairs without Caster Swivel Locks. Includes items 2-5.  
B - Chairs with Caster Swivel Locks. Includes items 7-10.