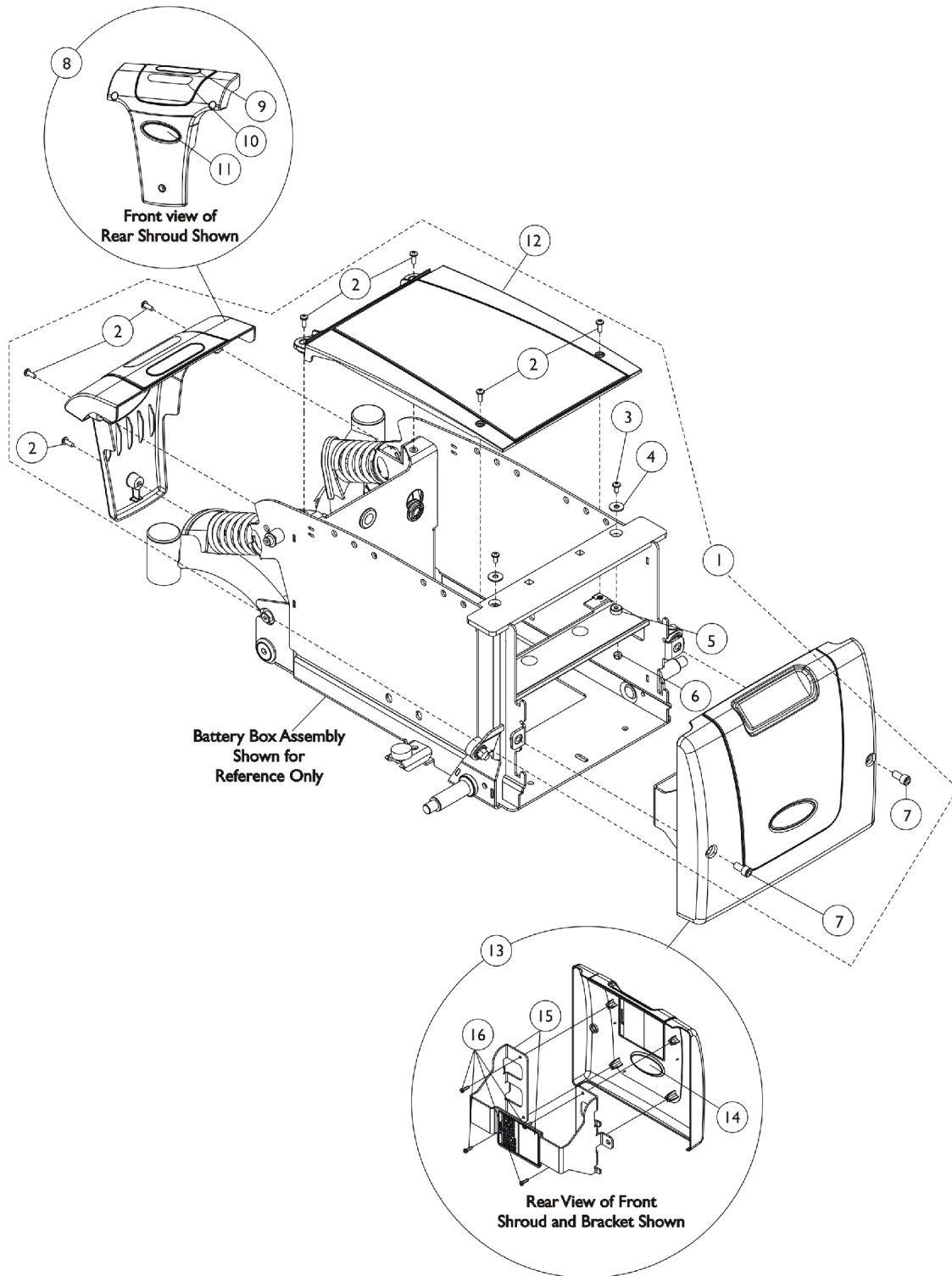


# Shrouds and Hardware

NOTE: Front Shroud and Bracket are different when a Footboard Assembly is used. See page titled "Footboard Assembly"



# Shrouds and Hardware

**NOTE: Front Shroud and Bracket are different when a Footboard Assembly is used. See page titled "Footboard Assembly"**

Item Number	Note	Part Number	Description	Quantity Per	
				Package	Assembly
1	A	1144651	Kit, Shroud Hardware (For 22NF Batteries)	1	1
2			Screw, Phillips Pan Head (#10-32 x 1/2")	1	7
3			Screw, Phillips Pan Head (#10-32 x 3/8")	1	2
4			Washer (1/4 x 23/32 x 1/16")	1	2
5			Shroud, Isolation	1	1
6			Locknut (#10-32)	1	2
7			Screw, Socket Head w/ Patch (5/16-18 x 5/8")	1	2
8	B	1144650	Shroud w/ Decal - Rear (TRRO/TRBKTS)	1	1
9		1119281-NLA	NLA - Plate, Name, Patent Numbers	1	1
10		1035900	Decal, Transportation	1	1
12		1144643	Shroud, Center	1	1
12		1144644	Shroud, Center (TRRO/TRBKTS)	1	1
13	C	1144642	Front Shroud and Bracket Assembly, Non-Elevate, Narrow (2-22NF Batteries)	1	1
15		1145069	Kit, Front Shroud Bracket w/ Decal, Black	1	1
16		1114276	Screw, Phillips Pan Head (#8-16 x 5/8")	1	4

NOTE: A - Includes Items 2-7.  
 B - Includes Items 9-11. The controller is also covered by the Rear Shroud. This Rear Shroud is used for "ALL" TDX SI, TDX SI-HD and TDX SI-2 models with or without TRRO/TRBKTS option. Originally used for TDX SP models w/ TRRO/TRBKTS Option only.  
 C - Includes Items 14-16.

Item #11 and #14 Reflective Decal is not available for sale individually.