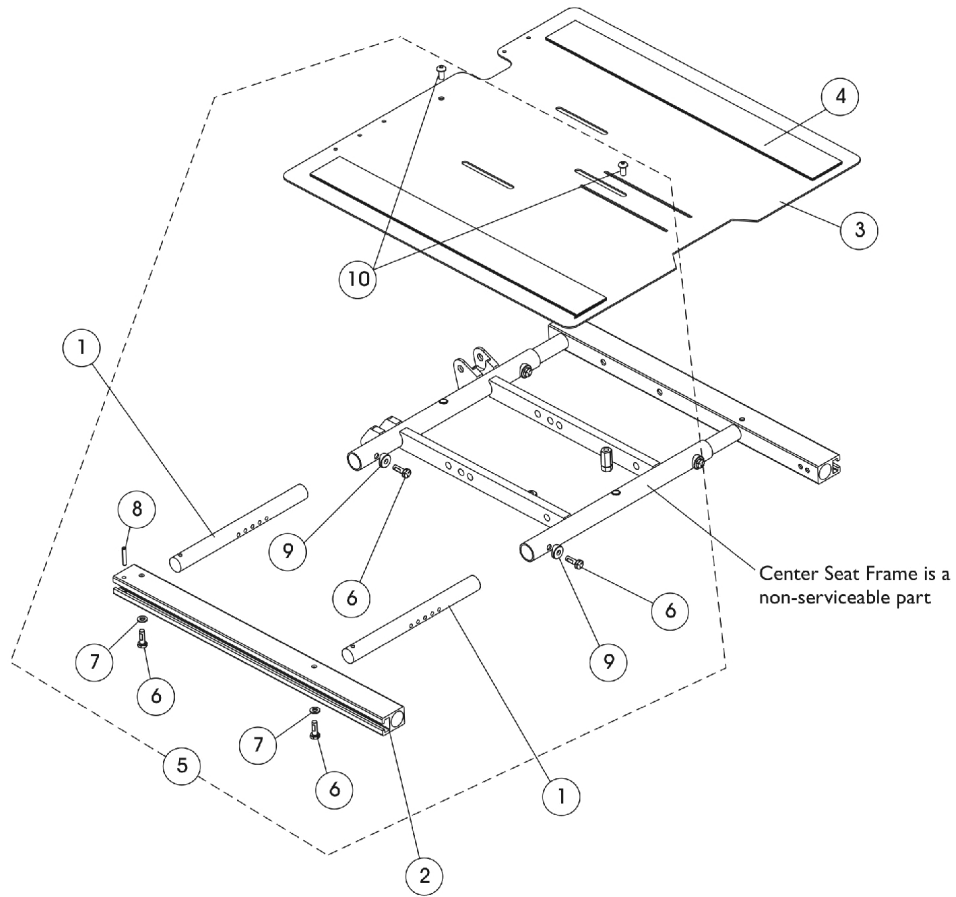
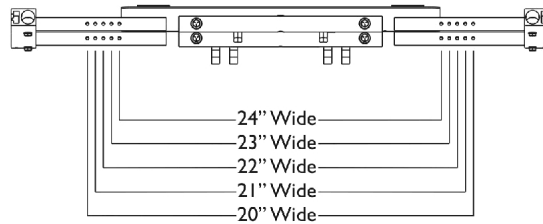


Seat Frame, Seat Pan and Hardware (20-22" Wide)



Seat Frame Width Settings



Seat Frame, Seat Pan and Hardware (20-22" Wide)

Item Number	Note	Part Number	Description	Quantity Per	
				Package	Assembly
1		1120283	Crossbar, Seat Frame (20" - 24" W)	1	4
2		1142951	Rail, Seat Frame (For 12 - 19" D Conventional)	1	2
2		1142952	Rail, Seat Frame (For 19 - 22" D Conventional)	1	2
2		1142953	Rail, Seat Frame (For 16 - 19" D Contoura)	1	2
2		1142954	Rail, Seat Frame (For 19 - 22" D Contoura)	1	2
3		1143790	Pan, Seat with Hook and Loop Fasteners (20 - 24" W x 16 - 19" D)	1	1
3		1143791	Pan, Seat, with Hook and Loop Fasteners (20 - 24" W x 19 - 22" D)	1	1
4	A	1043082	Hook Fastener with Adhesive Back (2" W x 18" L)	1	2
4	A	1044580	Loop Fastener with Adhesive Back (2" W x 18" L)	1	2
4	B,C	1043084	Hook Fastener with Adhesive back (2" W x 22" L)	1	2
4	B,C	1044584	Loop Fastener with Adhesive back (2" W x 22" L)	1	2
5	C	1144581	Kit, Seat Frame Assembly Hardware (12"-24" Wide)	1	1
6			Screw, Hex Head w/ Patch (1/4-20 x 3/4")	1	8
7			Washer (1/4 x 1/2 x 1/16")	1	4
8			NLA - Pin, Roll (3/16 x 1")	1	2
9			Spacer, Coved (1/4 x 11/16 x 1/2")	1	4
10			Screw, Socket Button (1/4-20 x 3/4")	1	2
NOTE: A - For 16-19" deep seat pans B - For 19-22" deep seat pans C - Includes items 6-10					
NOTE: 23" and 24" wide settings are not used for TDX SI models					